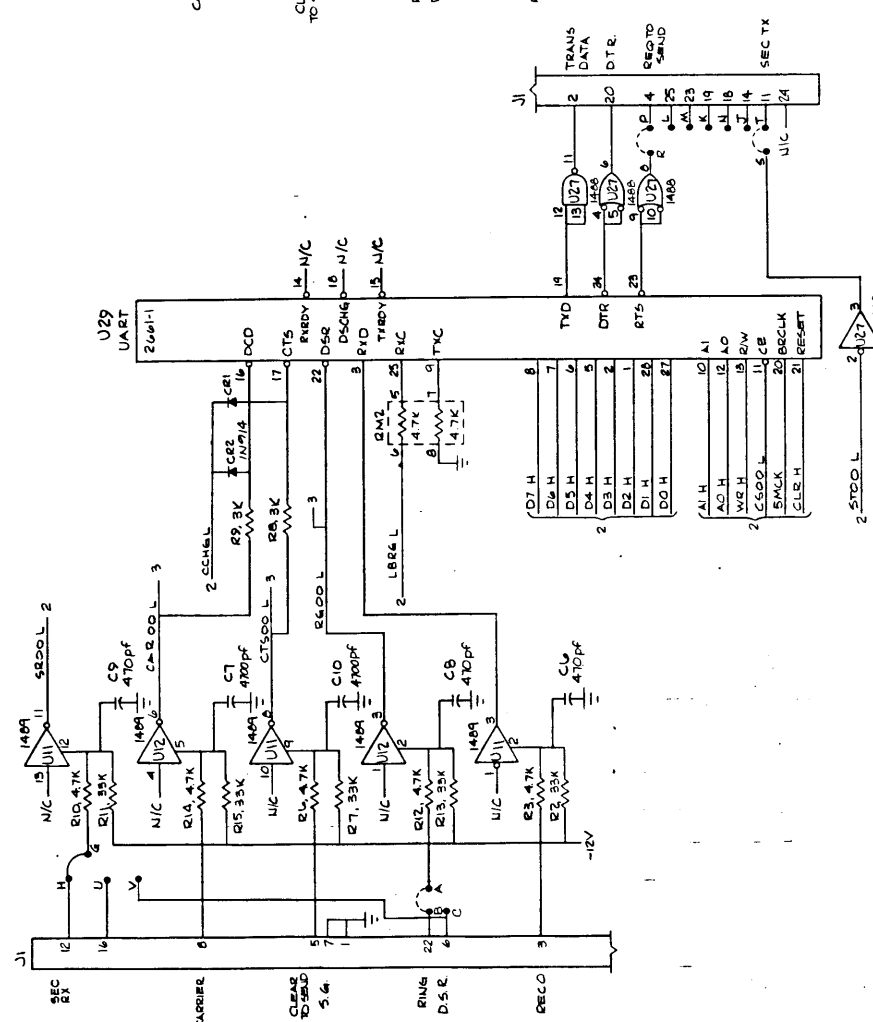
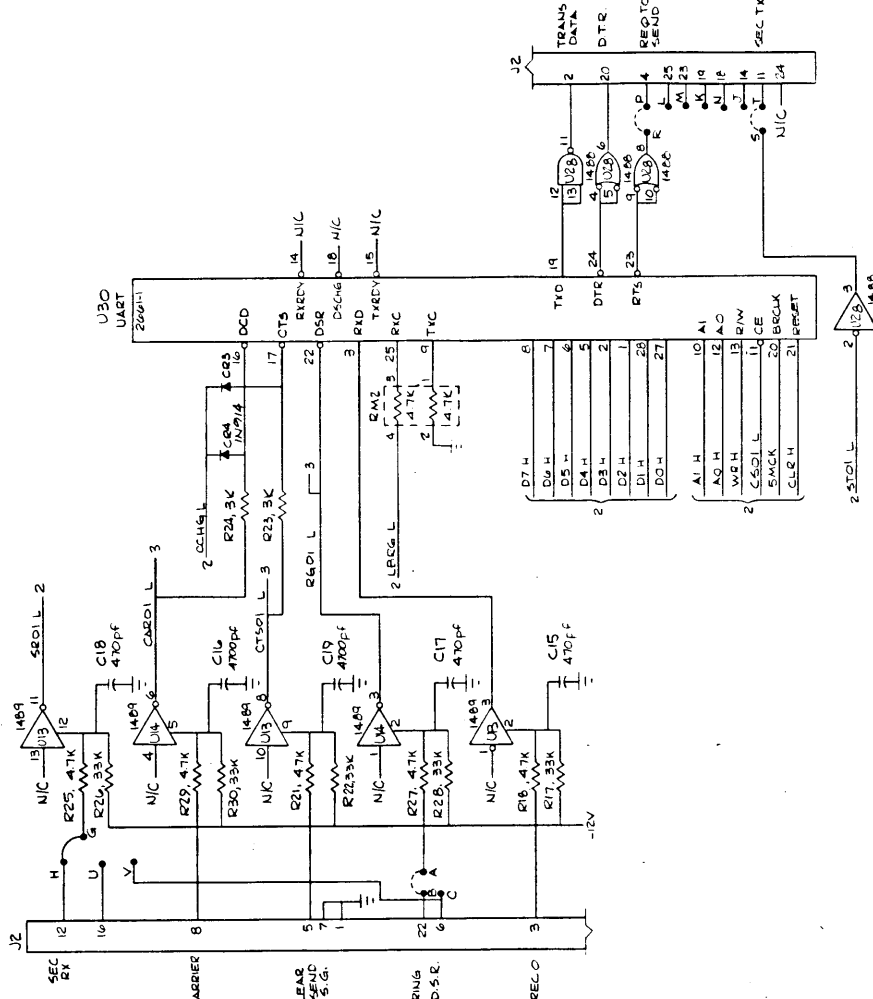


		<b>EMULEX CORPORATION</b> IRVINE, CALIF.	
TITLE <b>SCHEMATIC DIAGRAM -</b> <b>CC11 8-LINE ADAPTER BOARD</b>		SIZE <b>D</b>	SHEET NO. <b>3</b>
DRAWN <b>PZORLEN</b>		CHECKED <b>TADYVA</b>	SCALE <b>1:1</b>
ENGINEER <b>[Signature]</b>		APPROVED <b>[Signature]</b>	SHEET 3 OF 7
MATERIAL <b>[Blank]</b>		PART LIST <b>[Blank]</b>	APPLICATION <b>[Blank]</b>
DO NOT SCALE DRAWING		USE DIM <b>[Blank]</b>	UTE DIM <b>[Blank]</b>



UART CIRCUITRY

CHANNEL I

CHANNEL O

**EMULEX CORPORATION**  
 IRVING, CALIF.

**EMULEX**

TITLE: SCHEMATIC DIAGRAM, CCH 8-LINE ADAPTER BOARD

DATE: 01/10/68

REV: B

DRAWN: P. COLE

CHECKED: [ ]

ENGINEER: [ ]

APPROVED: [ ]

SCALE: NONE

SHEET 4 OF 7

THIS DRAWING CONTAINS INFORMATION PROPRIETARY TO EMULEX CORPORATION. IT IS THE PROPERTY OF EMULEX CORPORATION AND IS NOT TO BE REPRODUCED OR TRANSMITTED IN ANY FORM OR BY ANY MEANS, ELECTRONIC OR MECHANICAL, INCLUDING PHOTOCOPYING, RECORDING, OR BY ANY INFORMATION STORAGE AND RETRIEVAL SYSTEM, WITHOUT THE WRITTEN PERMISSION OF EMULEX CORPORATION.

DATE: 01/10/68

TIME: 11:44

SCALE: NONE

DO NOT SCALE DRAWING

APPLICATION: [ ]

USER: [ ]

DATE: [ ]

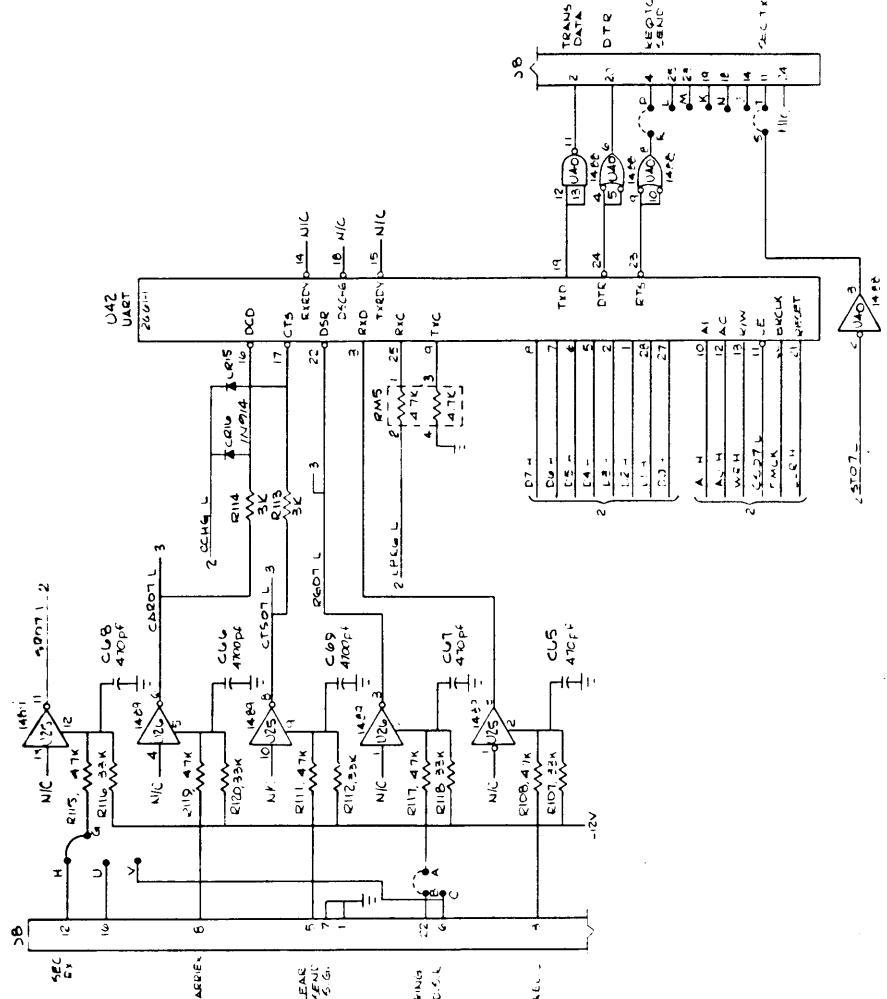
TIME: [ ]

SCALE: [ ]

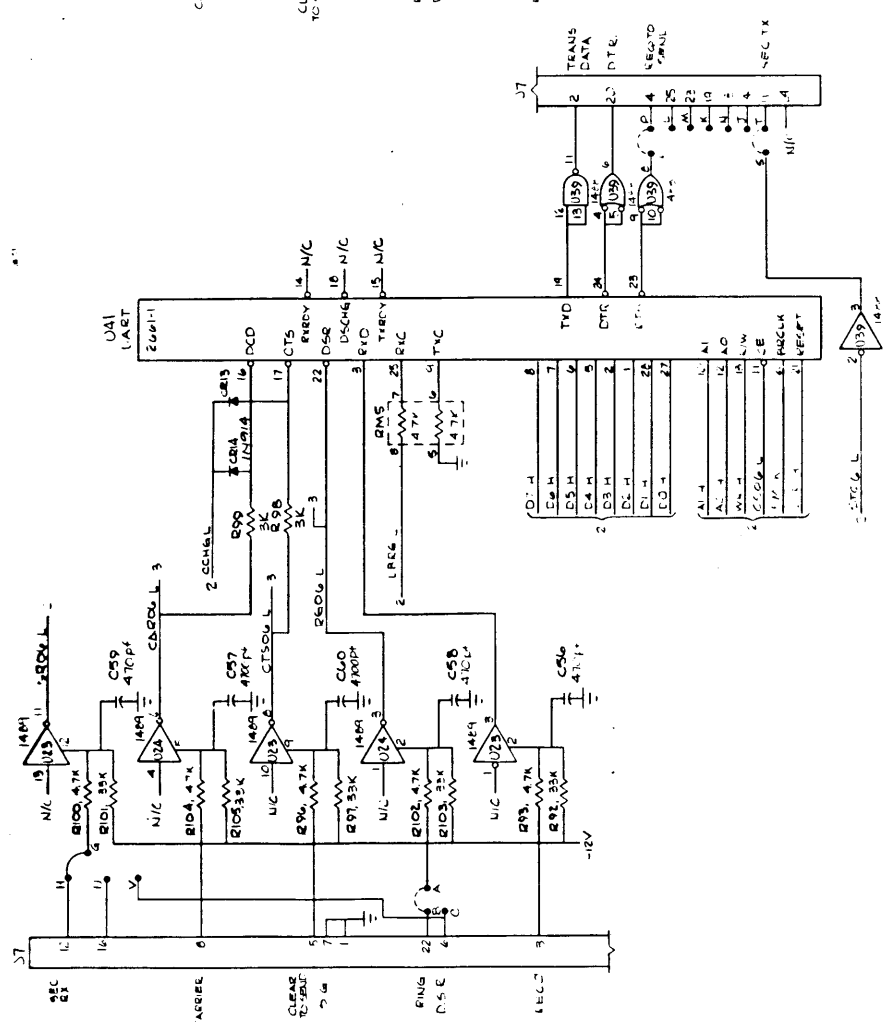
DO NOT SCALE DRAWING







CHANNEL 6



CHANNEL 7

EMULEX CORPORATION  
 IRVINE, CALIF.

UNLESS OTHERWISE SPECIFIED  
 ALL DIMENSIONS ARE IN INCHES  
 DIMENSIONS IN PARENTHESES ARE  
 DECIMAL INCHES  
 DIMENSIONS IN BRACKETS ARE  
 MILLIMETERS  
 DIMENSIONS IN SQUARE BRACKETS  
 ARE METRIC DIMENSIONS  
 DIMENSIONS IN CIRCLES ARE  
 HOLE DIMENSIONS  
 DIMENSIONS IN TRIANGLES ARE  
 CHAMFER DIMENSIONS  
 DIMENSIONS IN DIAMETERS ARE  
 DIMENSIONS IN SQUARE ROOTS ARE  
 DIMENSIONS IN SQUARE CUBES ARE  
 DIMENSIONS IN SQUARE PERCENTS ARE  
 DIMENSIONS IN SQUARE FEET ARE  
 DIMENSIONS IN SQUARE YARDS ARE  
 DIMENSIONS IN SQUARE METERS ARE  
 DIMENSIONS IN SQUARE KILOMETERS ARE

DATE: 11/14/78  
 DRAWN: D. COLEU  
 CHECKED: D. COLEU  
 ENGINEER: D. COLEU  
 APPROVED: D. COLEU  
 DO NOT SCALE DRAWING

ITEM NO. 1110  
 PART NO. 1110  
 APPLICATION: CHANNEL 6

SCALE: 1:1  
 SHEET 7 OF 7

PROJECT NO. CUI10608  
 DRAWING NO. CUI10608  
 REV. B

EMULEX CORPORATION  
 IRVINE, CALIF.

UNLESS OTHERWISE SPECIFIED  
 ALL DIMENSIONS ARE IN INCHES  
 DIMENSIONS IN PARENTHESES ARE  
 DECIMAL INCHES  
 DIMENSIONS IN BRACKETS ARE  
 MILLIMETERS  
 DIMENSIONS IN SQUARE BRACKETS  
 ARE METRIC DIMENSIONS  
 DIMENSIONS IN CIRCLES ARE  
 HOLE DIMENSIONS  
 DIMENSIONS IN TRIANGLES ARE  
 CHAMFER DIMENSIONS  
 DIMENSIONS IN DIAMETERS ARE  
 DIMENSIONS IN SQUARE ROOTS ARE  
 DIMENSIONS IN SQUARE CUBES ARE  
 DIMENSIONS IN SQUARE PERCENTS ARE  
 DIMENSIONS IN SQUARE FEET ARE  
 DIMENSIONS IN SQUARE YARDS ARE  
 DIMENSIONS IN SQUARE METERS ARE  
 DIMENSIONS IN SQUARE KILOMETERS ARE

DATE: 11/14/78  
 DRAWN: D. COLEU  
 CHECKED: D. COLEU  
 ENGINEER: D. COLEU  
 APPROVED: D. COLEU  
 DO NOT SCALE DRAWING

ITEM NO. 1110  
 PART NO. 1110  
 APPLICATION: CHANNEL 7

SCALE: 1:1  
 SHEET 7 OF 7

PROJECT NO. CUI10608  
 DRAWING NO. CUI10608  
 REV. B