

REV	DATE	DESCRIPTION	APPROVED
1	10/27/77

LAST REFERENCE DESIGNATION USED	UNIT
CAPACITOR	C01
CONNECTOR	J18
DIODE	CR32
INTEGRATED CIRCUIT	U32
JUMPER	B
RESISTOR	R00
RESISTOR MODULE	R01 R02
TRANSISTOR	Q32

JUMPER LOCATIONS	?
A, B	2

CHANNEL 0 THRU CHANNEL 15

J3 THRU J18	J18
1 PROTECTIVE GROUND	18 OV
2 R4732 TRANSMIT DATA	19 TRAMA 0
3 R4732 RECEIVER DATA	20 RING 0
4	21 REC 0
5	22 4G 0
6	23 TRAMA 1
7	24 RING 1
8	25 REC 1
9	26 4G 1
10	27 TRAMA 2
11	28 RING 2
12	29 REC 2
13	30 4G 2
14	31 TRAMA 3
15	32 RING 3
16	33 REC 3
17	34 4G 3
18	35 TRAMA 4
19	36 RING 4
20	37 REC 4
21	38 4G 4
22	39 TRAMA 5
23	40 RING 5
24	41 REC 5
25	42 4G 5
26	43 TRAMA 6
27	44 RING 6
28	45 REC 6
29	46 4G 6
30	47 TRAMA 7
31	48 RING 7
32	49 REC 7
33	50 4G 7

J2	J2
1 DTR 0	18 OV
2 CARRIER 0	19 TRAMA 0
3 DTR 1	20 RING 0
4 CARRIER 1	21 REC 0
5 DTR 2	22 4G 0
6 CARRIER 2	23 TRAMA 1
7 DTR 3	24 RING 1
8 CARRIER 3	25 REC 1
9 DTR 4	26 4G 1
10 CARRIER 4	27 TRAMA 2
11 DTR 5	28 RING 2
12 CARRIER 5	29 REC 2
13 DTR 6	30 4G 2
14 CARRIER 6	31 TRAMA 3
15 DTR 7	32 RING 3
16 CARRIER 7	33 REC 3
17 OV	34 4G 3
18	35 TRAMA 4
19	36 RING 4
20	37 REC 4
21	38 4G 4
22	39 TRAMA 5
23	40 RING 5
24	41 REC 5
25	42 4G 5
26	43 TRAMA 6
27	44 RING 6
28	45 REC 6
29	46 4G 6
30	47 TRAMA 7
31	48 RING 7
32	49 REC 7
33	50 4G 7

J1	J1
1 DTR 0	18 OV
2 CARRIER 0	19 TRAMA 0
3 DTR 1	20 RING 0
4 CARRIER 1	21 REC 0
5 DTR 2	22 4G 0
6 CARRIER 2	23 TRAMA 1
7 DTR 3	24 RING 1
8 CARRIER 3	25 REC 1
9 DTR 4	26 4G 1
10 CARRIER 4	27 TRAMA 2
11 DTR 5	28 RING 2
12 CARRIER 5	29 REC 2
13 DTR 6	30 4G 2
14 CARRIER 6	31 TRAMA 3
15 DTR 7	32 RING 3
16 CARRIER 7	33 REC 3
17 OV	34 4G 3
18	35 TRAMA 4
19	36 RING 4
20	37 REC 4
21	38 4G 4
22	39 TRAMA 5
23	40 RING 5
24	41 REC 5
25	42 4G 5
26	43 TRAMA 6
27	44 RING 6
28	45 REC 6
29	46 4G 6
30	47 TRAMA 7
31	48 RING 7
32	49 REC 7
33	50 4G 7

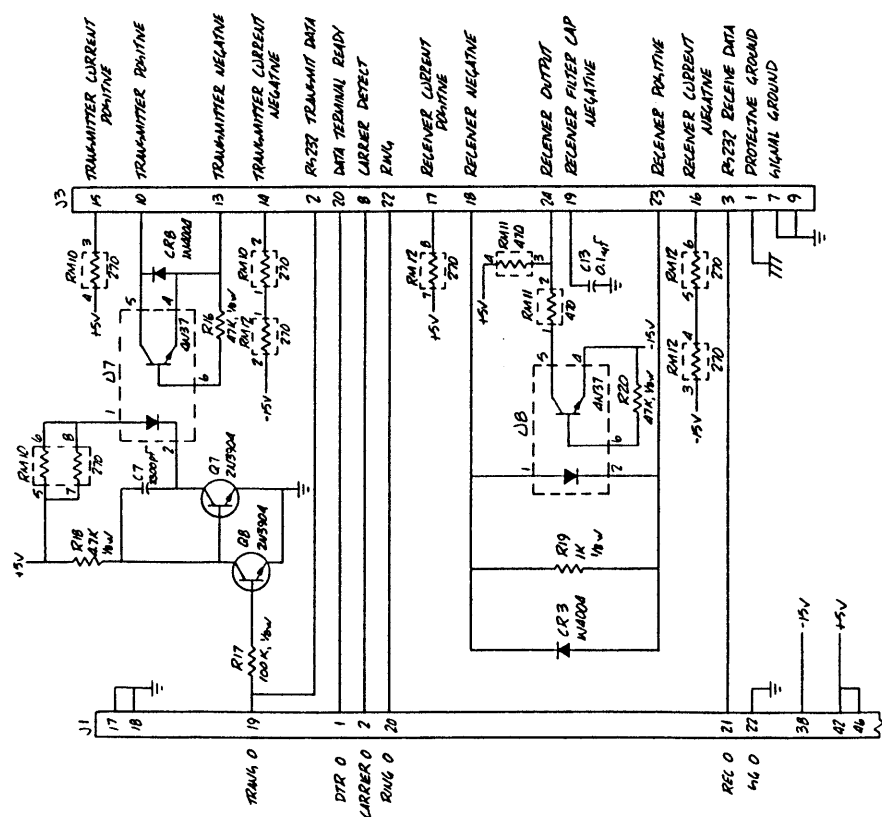
NOTES: UNLESS OTHERWISE SPECIFIED
 1 CAPACITANCE VALUES ARE IN MICROFARADS.
 2 RESISTANCE VALUES ARE IN OHMS, 10W, 5%.

SHEET	CHANNEL
SHEET 9	CHANNEL 14
SHEET 8	CHANNEL 12
SHEET 7	CHANNEL 10
SHEET 6	CHANNEL 8
SHEET 5	CHANNEL 6
SHEET 4	CHANNEL 4
SHEET 3	CHANNEL 2
SHEET 2	CHANNEL 0

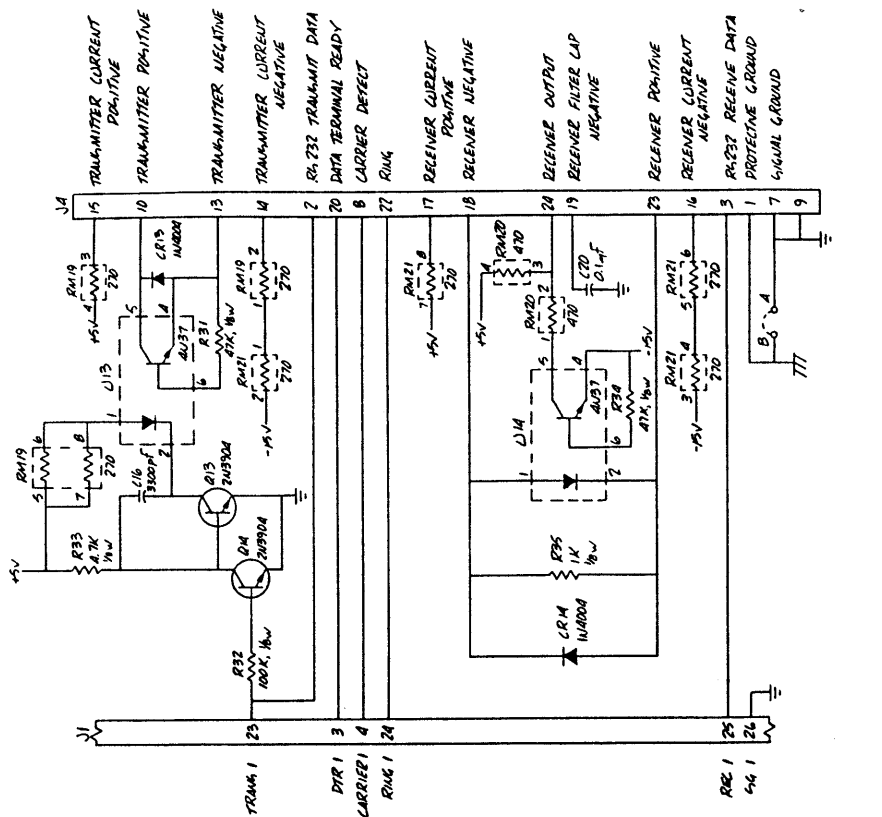
DESIGNED BY	G. PRATT	POWERS
CHECKED		
ENGINEER		
APPROVED		

DATE	10/27/77
SCALE	NONE
SCALE NUMBER	023/06/01
REV	A

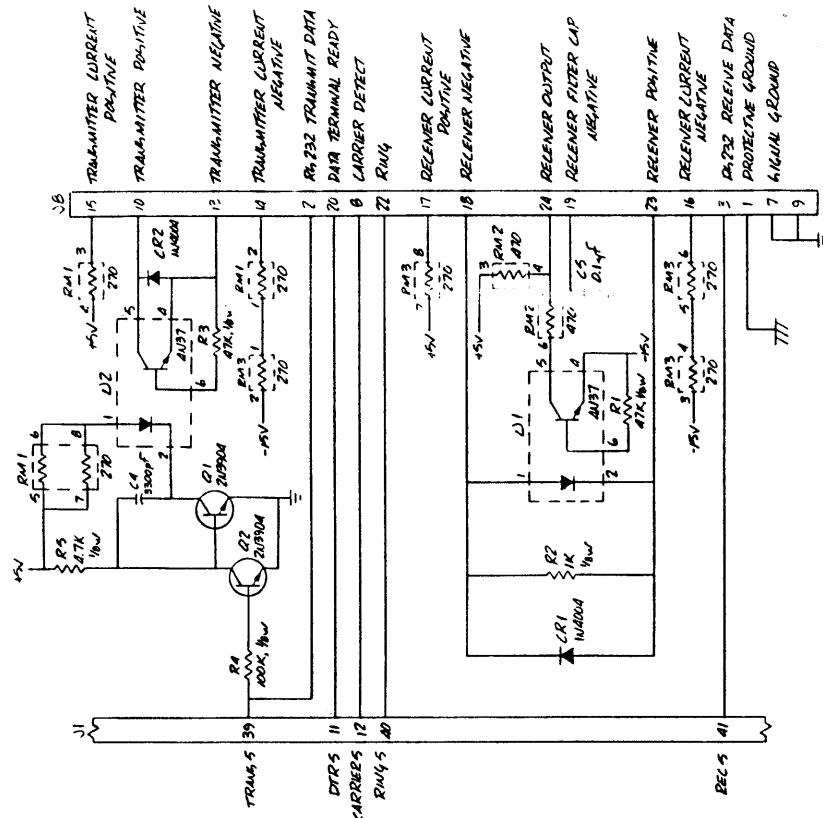
EMULEX CORPORATION COSTA MESA, CALIF.	EMULEX CORPORATION
SCHEMATIC DIAGRAM - C073	
DISTRIBUTION BOARD	



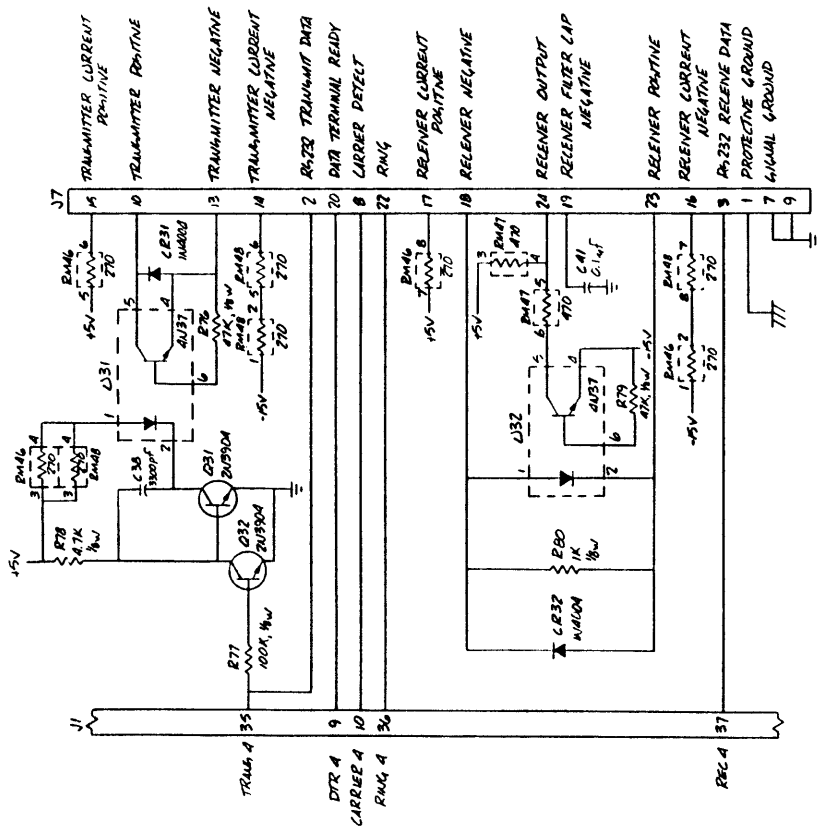
CHANNEL 0



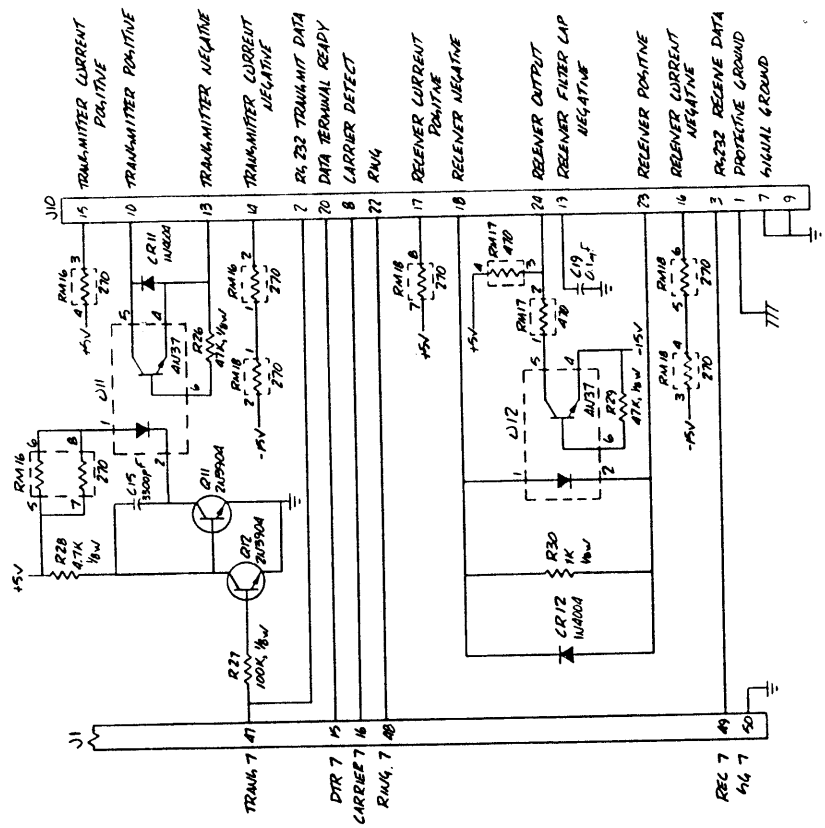
CHANNEL 1



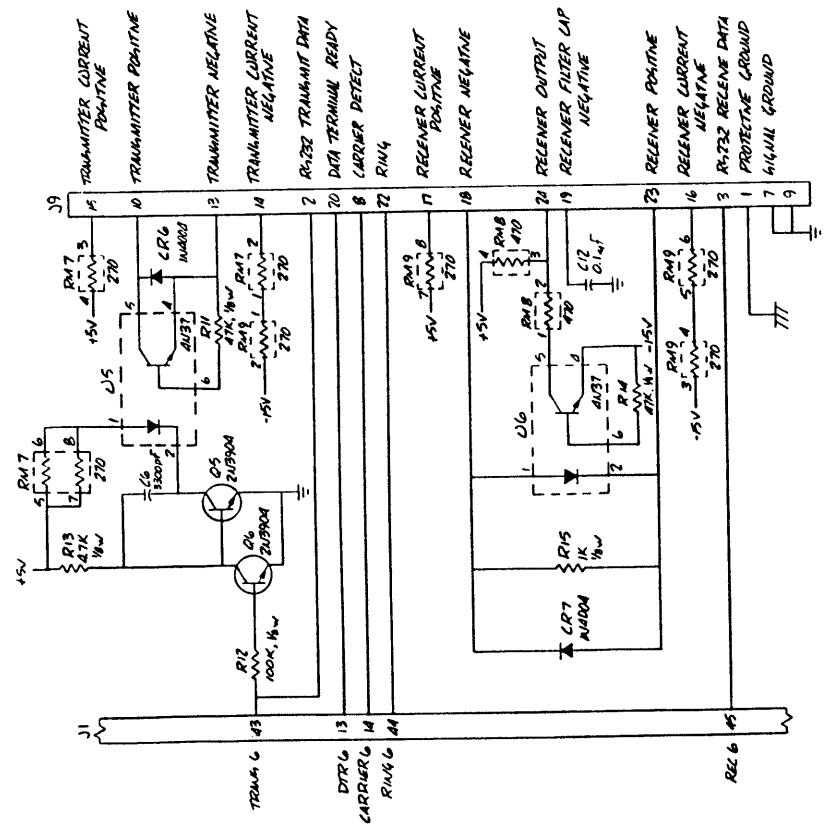
CHANNEL 5



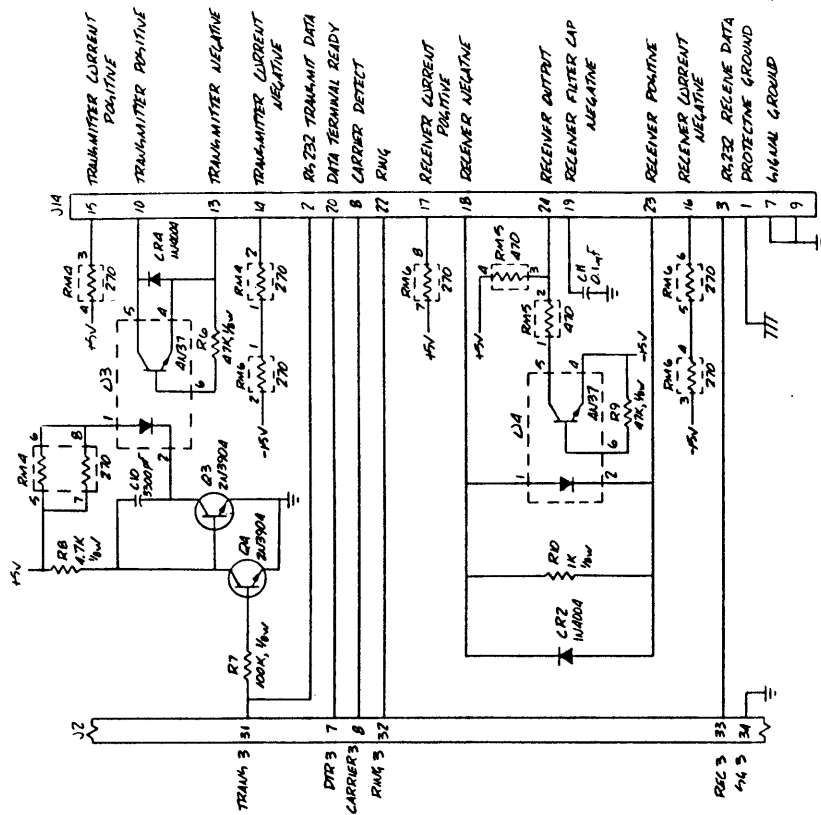
CHANNEL 4



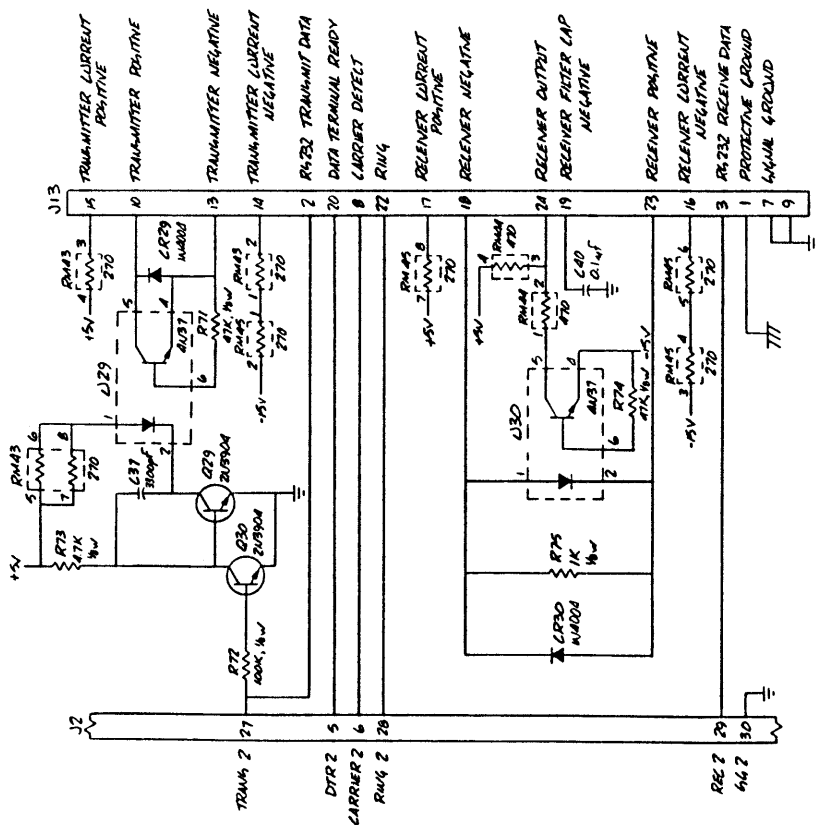
CHANNEL 7



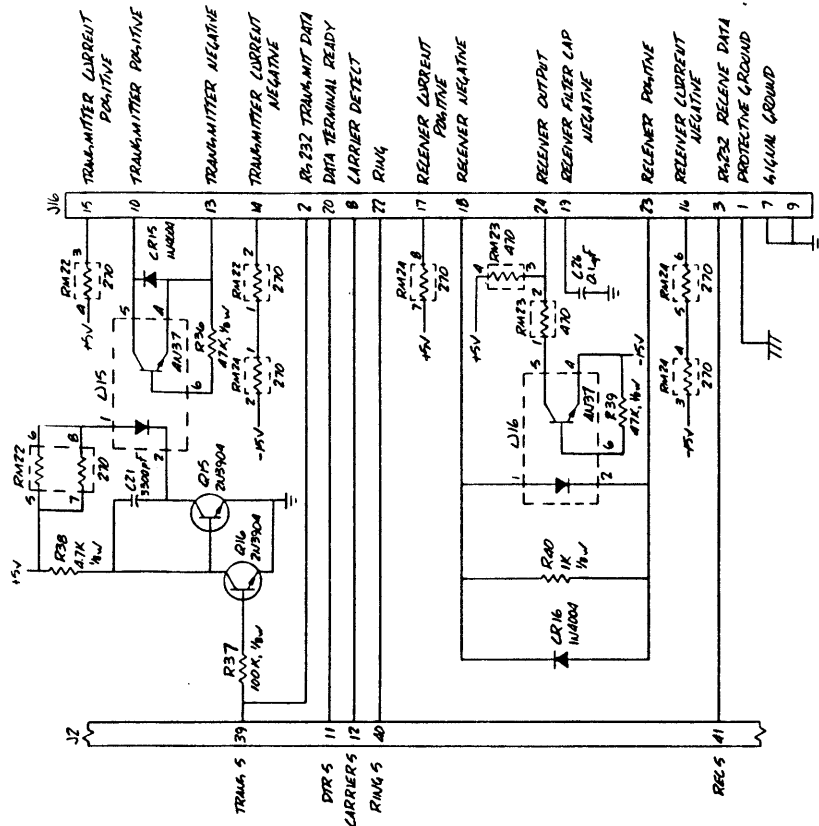
CHANNEL 6



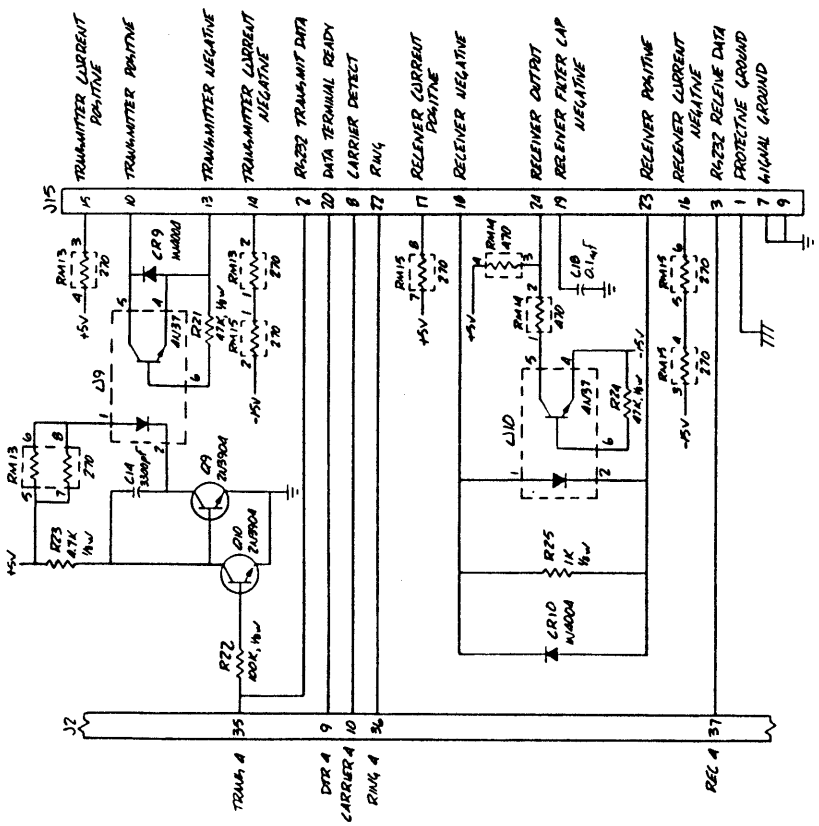
CHANNEL 11



CHANNEL 10



CHANNEL 13



CHANNEL 12

