

TIME	REV	DESCRIPTION	DATE	APPROVED
	A	ECO # 304 - INITIAL RELEASE	4-21-81	W.D. BGA
	B	REVISED AND REDRAWN PER ECO # 3	1-28-81	W.D. BGA
	C	ECO # 450 INCORPORATED	1-28-81	W.D. BGA
	D	ECO # 451 INCORPORATED	5-27-81	W.D. BGA

REVISIONS

DATE

APPROVED

TIME

REV

DESCRIPTION

DATE

APPROVED

TIME

REV

DESCRIPTION

DATE

APPROVED

TIME

REV

DESCRIPTION

DATE

APPROVED

TIME

REV

DESCRIPTION

DATE

APPROVED

TIME

REV

DESCRIPTION

DATE

APPROVED

TIME

REV

DESCRIPTION

DATE

APPROVED

TIME

REV

DESCRIPTION

DATE

APPROVED

TIME

REV

DESCRIPTION

DATE

APPROVED

TIME

REV

DESCRIPTION

DATE

APPROVED

TIME

REV

DESCRIPTION

DATE

APPROVED

TIME

REV

DESCRIPTION

DATE

APPROVED

TIME

REV

DESCRIPTION

DATE

APPROVED

TIME

REV

DESCRIPTION

DATE

APPROVED

TIME

REV

DESCRIPTION

DATE

APPROVED

TIME

REV

DESCRIPTION

DATE

APPROVED

TIME

REV

DESCRIPTION

DATE

APPROVED

TIME

REV

DESCRIPTION

DATE

APPROVED

TIME

REV

DESCRIPTION

DATE

APPROVED

TIME

REV

DESCRIPTION

DATE

APPROVED

TIME

REV

DESCRIPTION

DATE

APPROVED

TIME

REV

DESCRIPTION

DATE

APPROVED

TIME

REV

DESCRIPTION

DATE

APPROVED

TIME

REV

DESCRIPTION

DATE

APPROVED

TIME

REV

DESCRIPTION

DATE

APPROVED

TIME

REV

DESCRIPTION

DATE

APPROVED

TIME

REV

DESCRIPTION

DATE

APPROVED

TIME

REV

DESCRIPTION

DATE

APPROVED

TIME

REV

DESCRIPTION

DATE

APPROVED

TIME

REV

DESCRIPTION

DATE

APPROVED

TIME

REV

DESCRIPTION

DATE

APPROVED

TIME

REV

DESCRIPTION

DATE

APPROVED

TIME

REV

DESCRIPTION

DATE

APPROVED

TIME

REV

DESCRIPTION

DATE

APPROVED

TIME

REV

DESCRIPTION

DATE

APPROVED

TIME

REV

DESCRIPTION

DATE

APPROVED

TIME

REV

DESCRIPTION

DATE

APPROVED

TIME

REV

DESCRIPTION

DATE

APPROVED

TIME

REV

DESCRIPTION

DATE

APPROVED

TIME

REV

DESCRIPTION

DATE

APPROVED

TIME

REV

DESCRIPTION

DATE

APPROVED

TIME

REV

DESCRIPTION

DATE

APPROVED

TIME

REV

DESCRIPTION

DATE

APPROVED

TIME

REV

DESCRIPTION

DATE

APPROVED

TIME

REV

DESCRIPTION

DATE

APPROVED

TIME

REV

DESCRIPTION

DATE

APPROVED

TIME

REV

DESCRIPTION

DATE

APPROVED

TIME

REV

DESCRIPTION

DATE

APPROVED

TIME

REV

DESCRIPTION

DATE

APPROVED

TIME

REV

DESCRIPTION

DATE

APPROVED

TIME

REV

DESCRIPTION

DATE

APPROVED

TIME

REV

DESCRIPTION

DATE

APPROVED

TIME

REV

DESCRIPTION

DATE

APPROVED

TIME

REV

DESCRIPTION

DATE

APPROVED

TIME

REV

DESCRIPTION

DATE

APPROVED

TIME

REV

DESCRIPTION

DATE

APPROVED

TIME

REV

DESCRIPTION

DATE

APPROVED

TIME

REV

DESCRIPTION

DATE

APPROVED

TIME

REV

DESCRIPTION

DATE

APPROVED

TIME

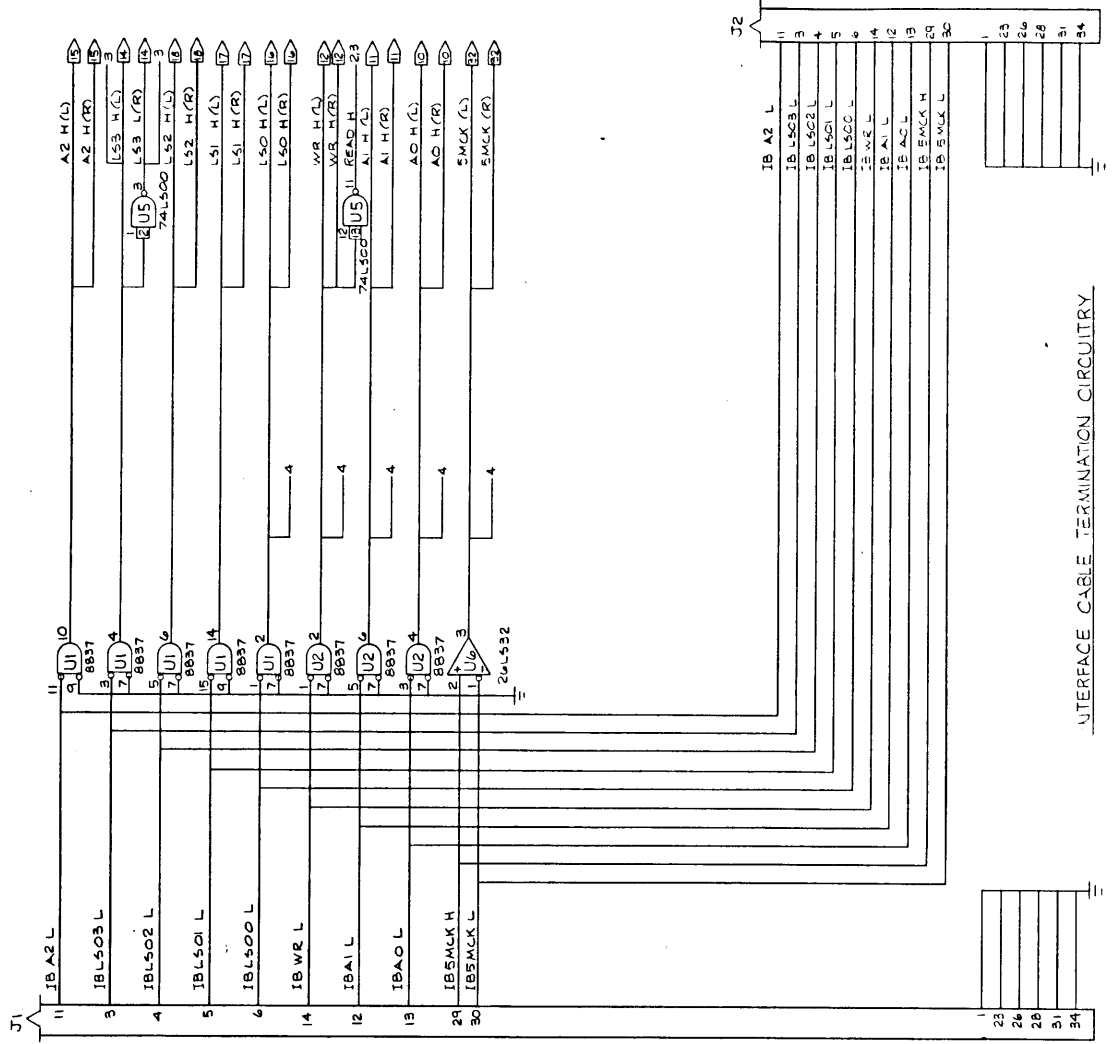
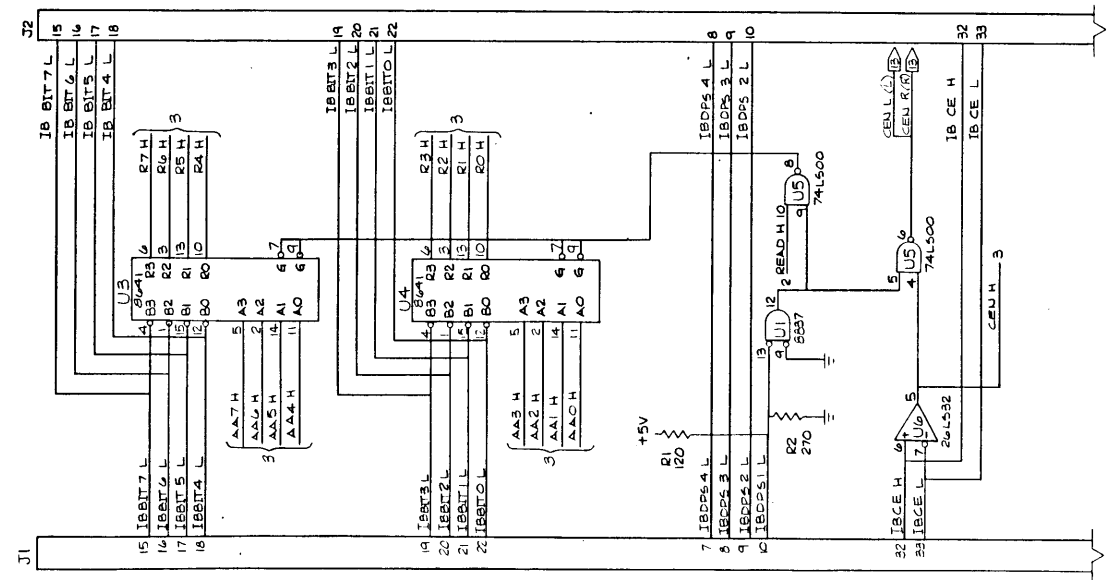
REV

DESCRIPTION

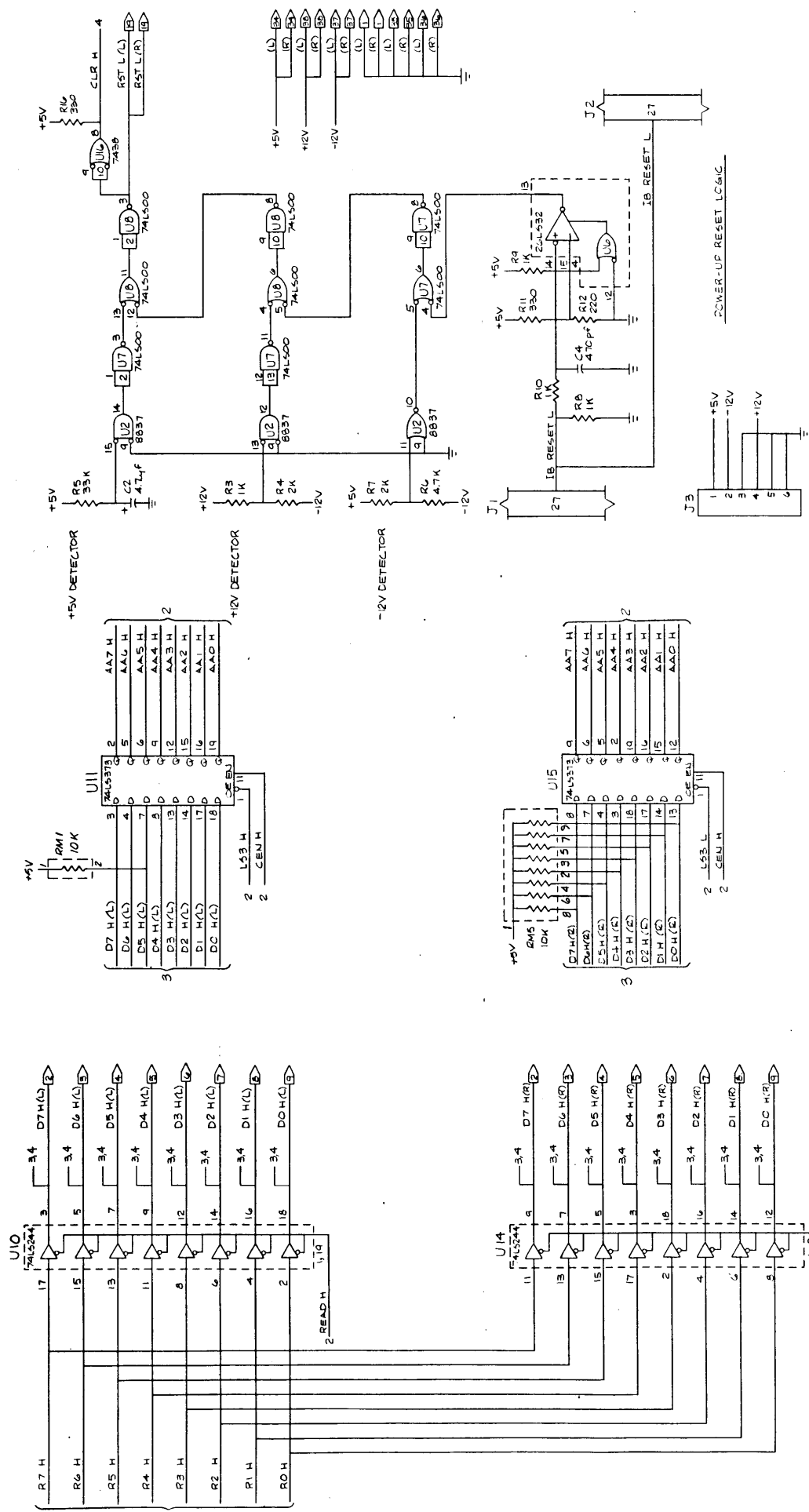
DATE

APPROVED

TIME

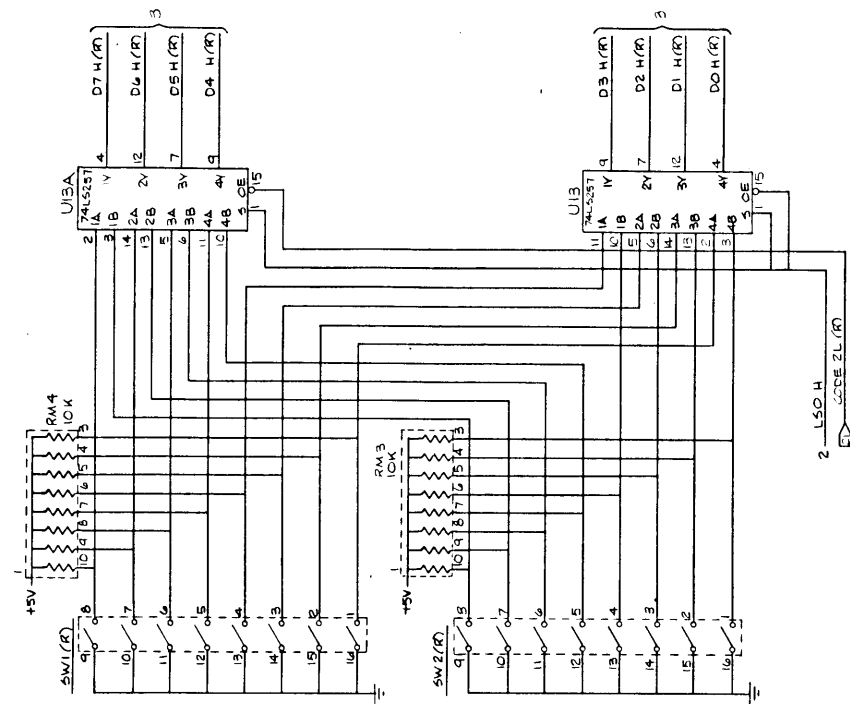


INTERFACE CABLE TERMINATION CIRCUITRY

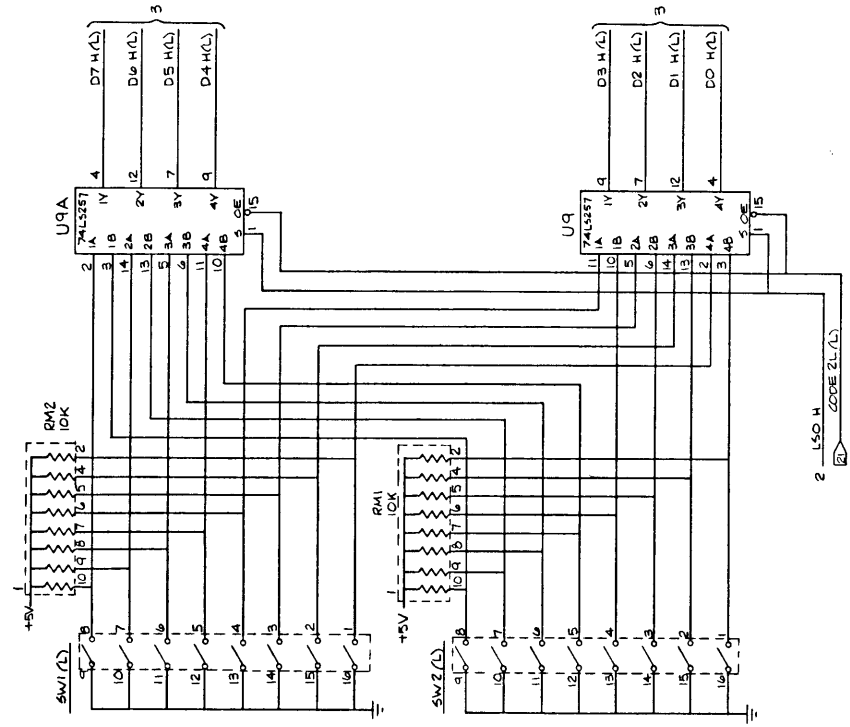


DATA BUS STEERING LOGIC

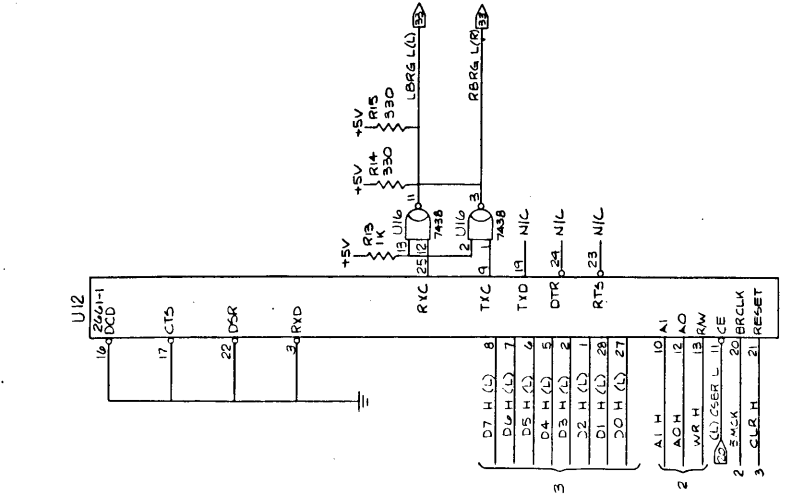
POWER-UP RESET LOGIC



RIGHT PANEL SWITCHES



LEFT PANEL SWITCHES



BAUD RATE GENERATOR