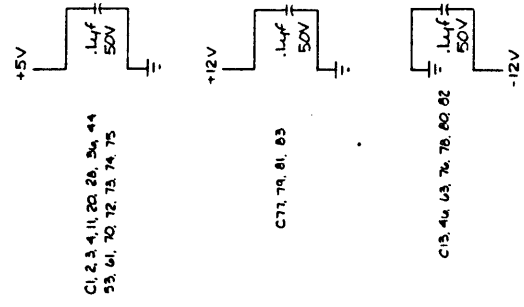


| REVISIONS | | |
|-----------|--------------------------|----------|
| REV. LTR | DESCRIPTION | DATE |
| A | ECO-0525 INITIAL RELEASE | 20/06/83 |
| B | ECO-0525 W/02/01/83 | 23/01/83 |

3 INTERCONNECTS

- 1 OV
- 2 D7 H
- 3 D6 H
- 4 D5 H
- 5 D4 H
- 6 D3 H
- 7 D2 H
- 8 D1 H
- 9 DO H
- 10 AO H
- 11 A1 H
- 12 W2 H
- 13 CEN L
- 14 L53 L
- 15 A2 H
- 16 L50 H
- 17 L51 H
- 18 L52 H
- 19 R51 L
- 20 C58B L
- 21 OV
- 22 COOE 2 L
- 23 SPARE
- 24
- 25
- 26
- 27
- 28
- 29
- 30
- 31 SPARE
- 32 S MCK
- 33 LBB6 L
- 34 +5V
- 35 OV
- 36 OV
- 37 -12V
- 38 +12V

- THRU -----
- | | |
|---|---|
| <p>J1</p> <ul style="list-style-type: none"> 1 OV 2 TRANS DATA 3 REC'D 4 REC TO SEND 5 CLEAR TO SEND 6 D.S.R. (OPTIONAL) 7 OV 8 CARRIER 9 10 11 SECT X 12 SECT Y 13 14 15 16 17 18 19 20 D.T.R. 21 22 RING 23 24 25 | <p>J6</p> <ul style="list-style-type: none"> 1 OV 2 TRANS DATA 3 REC'D 4 REC TO SEND 5 CLEAR TO SEND 6 D.S.R. (OPTIONAL) 7 OV 8 CARRIER 9 10 11 SECT X 12 SECT Y 13 14 15 16 17 18 19 20 D.T.R. 21 22 RING 23 24 25 |
|---|---|



NOTES: UNLESS OTHERWISE SPECIFIED
 1 CAPACITANCE VALUES ARE IN MICROFARADS.
 2 RESISTANCE VALUES ARE IN OHMS, 5%, 1/4 W.
 3 DENOTES INTERCONNECT PINS.

| LAST REFERENCE DESIGNATION USED | |
|---------------------------------|------|
| INTEGRATED CIRCUIT | U4-6 |
| CAPACITOR | C43 |
| DIODE, LED | LED8 |
| RESISTOR | R120 |
| RESISTOR MODULE | RM5 |
| SWITCH | SW2 |
| DIODE | CR10 |

| REFERENCE DESIGNATION | GATES USED PER TOTAL | PART NUMBER |
|-----------------------|----------------------|-------------|
| U6 | 2/4 | 74LS08 |
| U7 | 5/6 | 74LS04 |

COMPONENTS NOT USED

RESISTORS:
 84, 8, 19, 20, 34, 35, 43, 50, 64, 68,
 79, 80, 84, 93, 109, 110

CAPACITORS:
 25, 12, 14, 21, 22, 23, 30, 31, 38, 45,
 47, 54, 55, 62, 64, 71

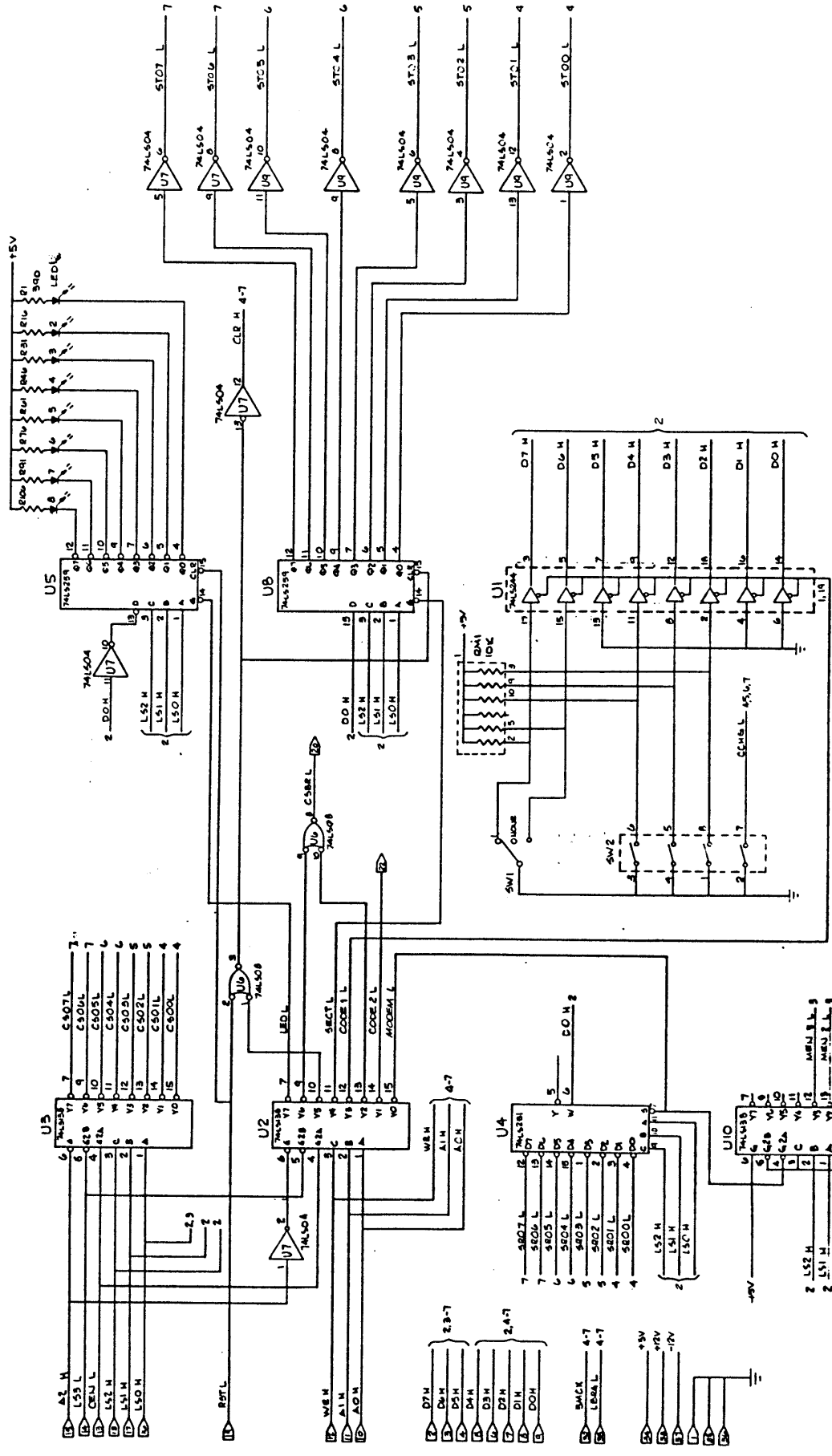
| SHEET | TITLE | DATE | REV. |
|---------|--|------|------|
| SHEET 2 | SECONDARY RECEIVE | | |
| SHEET 3 | | | |
| SHEET 4 | UART CIRCUITRY - CHANNEL 0 AND CHANNEL 1 | | |
| SHEET 5 | UART CIRCUITRY - CHANNEL 2 AND CHANNEL 3 | | |
| SHEET 6 | UART CIRCUITRY - CHANNEL 4 AND CHANNEL 5 | | |
| SHEET 7 | UART CIRCUITRY - CHANNEL 6 AND CHANNEL 7 | | |

| DRAWN | | CHECKED | | APPROVED | |
|-------|-----------|---------|------|----------|------|
| NO. | NAME | NO. | NAME | NO. | NAME |
| | W. J. KAY | | | | |
| | | | | | |

| TITLE | | REV. | |
|-------|---|------|-------------|
| NO. | DESCRIPTION | NO. | DESCRIPTION |
| D | SCHEMATIC DIAGRAM - CCI BLINE ADAPTER BOARD | | |
| | | | |

| EMULEX CORPORATION | |
|--------------------|-----------|
| IRVINE, CALIF. | |
| CONTRACT NO. | CUI110608 |
| DATE | B |

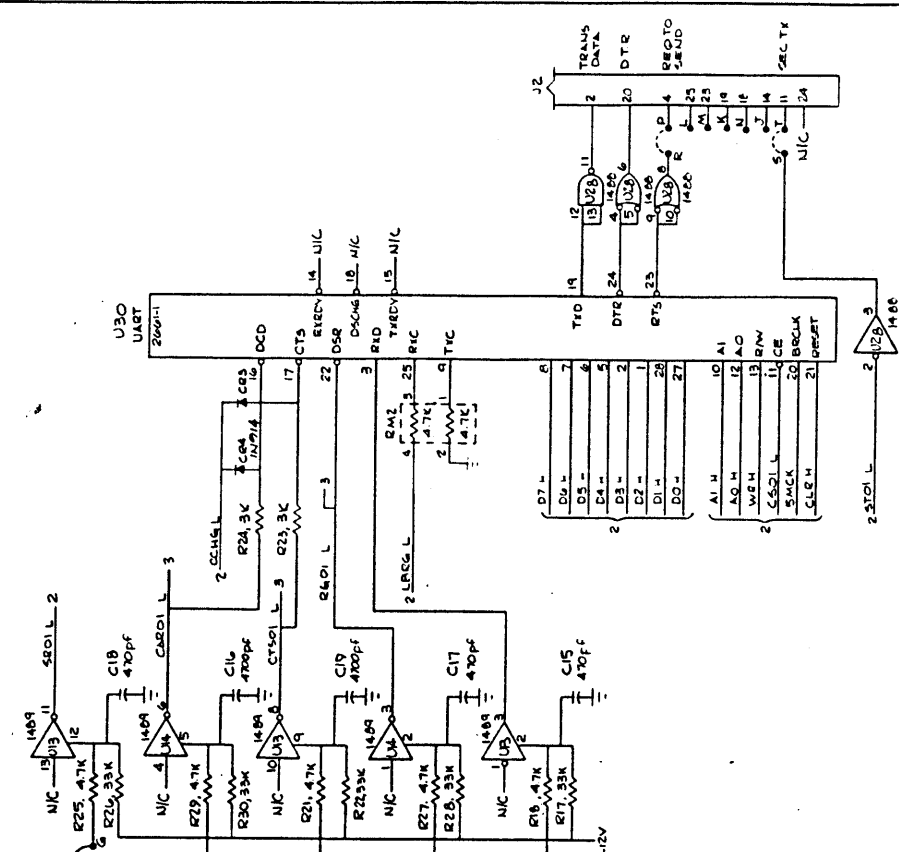
| REV | DATE | DESCRIPTION | APPROVED |
|-----|------|----------------|----------|
| 1 | | SEE SHEET C-1E | |



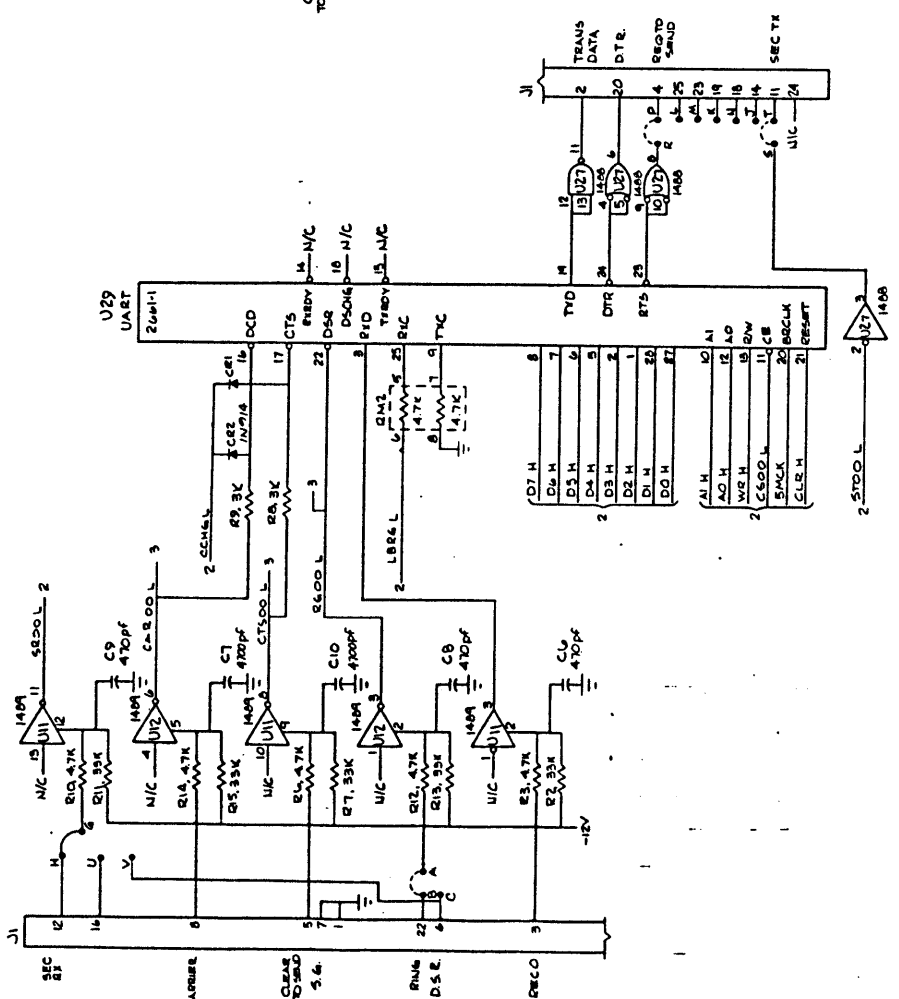
| | |
|--|---------------------------------|
| EMULEX CORPORATION IRVINE, CALIF. | |
| TITLE SCHEMATIC DIAGRAM CCH 8-LINE ADAPTER BOARD | DRAWING NO. CUI110608 |
| FILE NO. D | REV. 1 |
| DESIGNED BY P. COHEN | CHECKED BY P. COHEN |
| DRAWN BY P. COHEN | APPROVED BY P. COHEN |
| DATE 11/11/78 | SHEET NO. 1 |

SECONDARY RECEIVE

| REV. NO. | DATE | DESCRIPTION | APPROVED |
|----------|------|---------------|----------|
| 1 | | SEE SHEET ONE | |



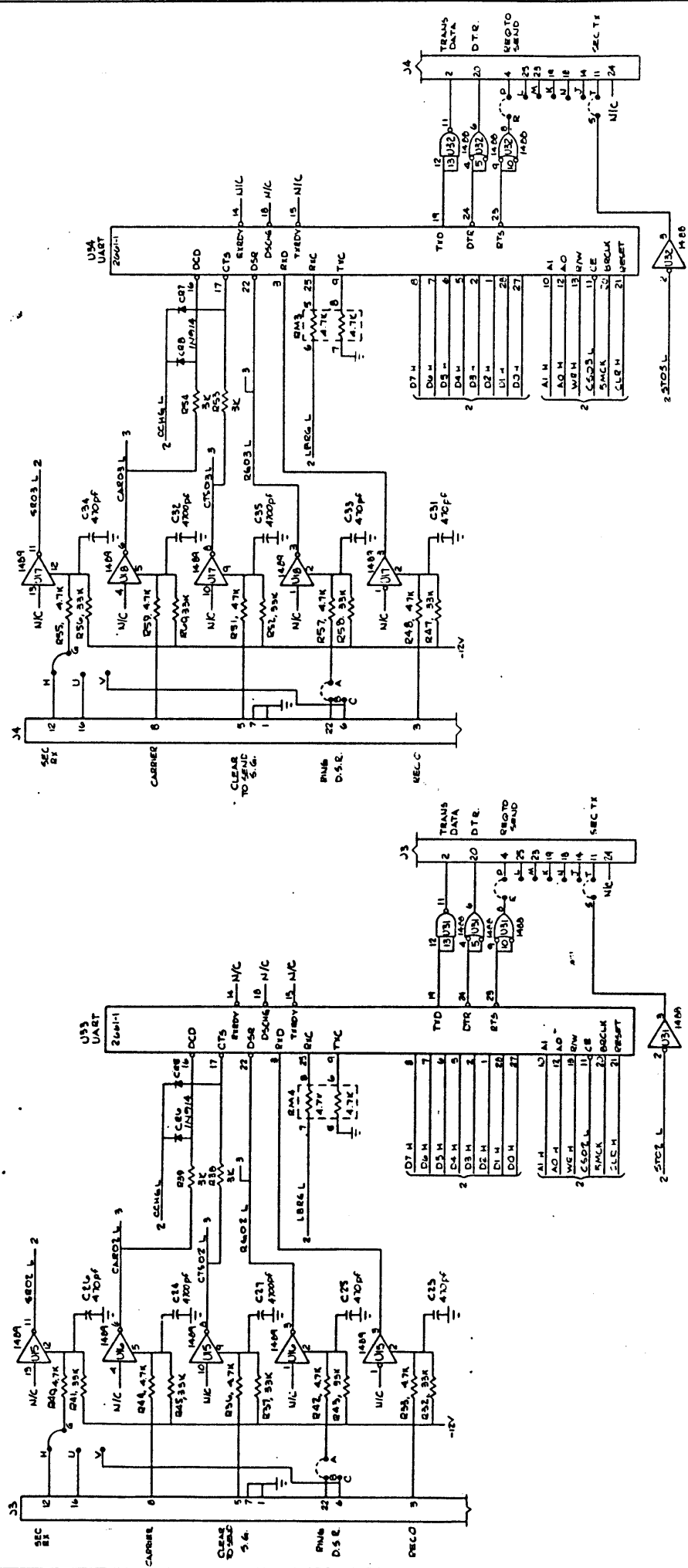
UART CIRCUITRY



CHANNEL 2

| | | | |
|--|--------------------|---|-----------|
| | | EMULEX CORPORATION IRVINE, CALIF. | |
| TITLE SCHMATIC DIAGRAM CCII 8-LINE ADAPTER BOARD | | | |
| DRAWN D. COLEU | CHECKED [] | DATE 11/14/74 | REV. F |
| DESIGNED BY [] | APPROVED BY [] | PROJECT NO. CUI1106.08 | PART NO. |

| | |
|---|--------------------------------|
| THIS DOCUMENT CONTAINS PROPRIETARY INFORMATION OF EMULEX CORPORATION. IT IS TO BE KEPT CONFIDENTIAL AND NOT TO BE REPRODUCED OR TRANSMITTED IN ANY FORM OR BY ANY MEANS, ELECTRONIC OR MECHANICAL, INCLUDING PHOTOCOPYING, RECORDING, OR BY ANY INFORMATION STORAGE AND RETRIEVAL SYSTEM. | |
| DATE OF THIS REVISION 11/14/74 | DATE OF THIS SHEET 11/14/74 |



UART CIRCUITRY

CHANNEL 2

CHANNEL 3

EMULEX CORPORATION
 IRVING, CALIF.

THIS DRAWING CONTAINS INFORMATION OF A CONFIDENTIAL NATURE AND IS TO BE KEPT AS SUCH. IT IS TO BE USED ONLY FOR THE PROJECT SPECIFICALLY IDENTIFIED HEREIN. IT IS TO BE DESTROYED OR RECYCLED UPON THE COMPLETION OF THE PROJECT. IT IS TO BE KEPT IN A SECURE PLACE AND NOT TO BE LOANED TO ANY OTHER PERSON OR OFFICE WITHOUT THE WRITTEN PERMISSION OF THE ISSUING OFFICE.

DATE: 11/11/88
 DRAWN: D. COLEU
 CHECKED: []
 ENGINEER: []
 APPROVED: []

TITLE: SCHEMATIC DIAGRAM, CC11 8-LINE ADAPTER BOARD
 UNIT: []
 CASE NUMBER: CUM10608
 REV: B

