

REV	DATE	APPROVED
1	10/1/77	5-14-77
2	10/1/77	5-14-77

REVISIONS  
 1. ECU # 0001 - INITIAL RELEASE  
 2. ECU # 0001 - MODIFIED

**C**

ARB OK L	2	BUS SBI REQ 4 L
UNEXP RD FAT H	5	BUS SBI REQ 5 L
INTERRUPT CPU L	6	BUS SBI TP L
MULTI XMIT FLT H	7	ICD STORED H
WRITE SECT H	11	BUS SBI REQ 4 L
XMITTED SECT H	12	BUS SBI TP L
AD ADDR H	15	BUS SBI TP L
RD READ H	17	INT RD REQ H
RD REQ L	19	BUS SBI RCLK H
RD REQ L	23	BUS SBI RCLK H
RD REQ L	24	BUS SBI RCLK H
PARITY FLT H	25	BUS SBI RCLK L
SET CORRECT RD L	27	CLK DIB 2 H
SET CORRECT WR L	28	SET AND SUB L
ENAB WDI MUX H	31	SET AND SUB L
INIT COND L	35	BUS SBI UNJAM L
INIT COND L	36	BUS SBI CONFO L
INIT COND L	37	BUS SBI CONFO L
INIT COND L	38	BUS SBI CONFO L
INIT COND L	39	BUS SBI CONFO L
INIT COND L	40	BUS SBI CONFO L
INIT COND L	41	BUS SBI CONFO L
INIT COND L	42	BUS SBI CONFO L
INIT COND L	43	BUS SBI CONFO L
INIT COND L	44	BUS SBI CONFO L
INIT COND L	45	BUS SBI CONFO L
INIT COND L	46	BUS SBI CONFO L
INIT COND L	47	BUS SBI CONFO L
INIT COND L	48	BUS SBI CONFO L
INIT COND L	49	BUS SBI CONFO L
INIT COND L	50	BUS SBI CONFO L
INIT COND L	51	BUS SBI CONFO L
INIT COND L	52	BUS SBI CONFO L
INIT COND L	53	BUS SBI CONFO L
INIT COND L	54	BUS SBI CONFO L
INIT COND L	55	BUS SBI CONFO L
INIT COND L	56	BUS SBI CONFO L
INIT COND L	57	BUS SBI CONFO L
INIT COND L	58	BUS SBI CONFO L
INIT COND L	59	BUS SBI CONFO L
INIT COND L	60	BUS SBI CONFO L
INIT COND L	61	BUS SBI CONFO L
INIT COND L	62	BUS SBI CONFO L
INIT COND L	63	BUS SBI CONFO L
INIT COND L	64	BUS SBI CONFO L
INIT COND L	65	BUS SBI CONFO L
INIT COND L	66	BUS SBI CONFO L
INIT COND L	67	BUS SBI CONFO L
INIT COND L	68	BUS SBI CONFO L
INIT COND L	69	BUS SBI CONFO L
INIT COND L	70	BUS SBI CONFO L
INIT COND L	71	BUS SBI CONFO L
INIT COND L	72	BUS SBI CONFO L
INIT COND L	73	BUS SBI CONFO L
INIT COND L	74	BUS SBI CONFO L
INIT COND L	75	BUS SBI CONFO L
INIT COND L	76	BUS SBI CONFO L
INIT COND L	77	BUS SBI CONFO L
INIT COND L	78	BUS SBI CONFO L
INIT COND L	79	BUS SBI CONFO L
INIT COND L	80	BUS SBI CONFO L
INIT COND L	81	BUS SBI CONFO L
INIT COND L	82	BUS SBI CONFO L
INIT COND L	83	BUS SBI CONFO L
INIT COND L	84	BUS SBI CONFO L
INIT COND L	85	BUS SBI CONFO L
INIT COND L	86	BUS SBI CONFO L
INIT COND L	87	BUS SBI CONFO L
INIT COND L	88	BUS SBI CONFO L
INIT COND L	89	BUS SBI CONFO L
INIT COND L	90	BUS SBI CONFO L
INIT COND L	91	BUS SBI CONFO L
INIT COND L	92	BUS SBI CONFO L
INIT COND L	93	BUS SBI CONFO L

NOTES: UNLESS OTHERWISE SPECIFIED  
 1. CAPACITANCE VALUES ARE IN MICROFARADS.  
 2. RESISTANCE VALUES ARE IN MICROFARADS.

**B**

BUS MBA INT B23 H	2	BUS MBA INT B24 H
BUS SBI B23 L	3	BUS SBI B24 L
BUS SBI B23 L	4	BUS SBI B24 L
BUS SBI B23 L	5	BUS SBI B24 L
BUS SBI B23 L	6	BUS SBI B24 L
BUS SBI B23 L	7	BUS SBI B24 L
BUS SBI B23 L	8	BUS SBI B24 L
BUS SBI B23 L	9	BUS SBI B24 L
BUS SBI B23 L	10	BUS SBI B24 L
BUS SBI B23 L	11	BUS SBI B24 L
BUS SBI B23 L	12	BUS SBI B24 L
BUS SBI B23 L	13	BUS SBI B24 L
BUS SBI B23 L	14	BUS SBI B24 L
BUS SBI B23 L	15	BUS SBI B24 L
BUS SBI B23 L	16	BUS SBI B24 L
BUS SBI B23 L	17	BUS SBI B24 L
BUS SBI B23 L	18	BUS SBI B24 L
BUS SBI B23 L	19	BUS SBI B24 L
BUS SBI B23 L	20	BUS SBI B24 L
BUS SBI B23 L	21	BUS SBI B24 L
BUS SBI B23 L	22	BUS SBI B24 L
BUS SBI B23 L	23	BUS SBI B24 L
BUS SBI B23 L	24	BUS SBI B24 L
BUS SBI B23 L	25	BUS SBI B24 L
BUS SBI B23 L	26	BUS SBI B24 L
BUS SBI B23 L	27	BUS SBI B24 L
BUS SBI B23 L	28	BUS SBI B24 L
BUS SBI B23 L	29	BUS SBI B24 L
BUS SBI B23 L	30	BUS SBI B24 L
BUS SBI B23 L	31	BUS SBI B24 L
BUS SBI B23 L	32	BUS SBI B24 L
BUS SBI B23 L	33	BUS SBI B24 L
BUS SBI B23 L	34	BUS SBI B24 L
BUS SBI B23 L	35	BUS SBI B24 L
BUS SBI B23 L	36	BUS SBI B24 L
BUS SBI B23 L	37	BUS SBI B24 L
BUS SBI B23 L	38	BUS SBI B24 L
BUS SBI B23 L	39	BUS SBI B24 L
BUS SBI B23 L	40	BUS SBI B24 L
BUS SBI B23 L	41	BUS SBI B24 L
BUS SBI B23 L	42	BUS SBI B24 L
BUS SBI B23 L	43	BUS SBI B24 L
BUS SBI B23 L	44	BUS SBI B24 L
BUS SBI B23 L	45	BUS SBI B24 L
BUS SBI B23 L	46	BUS SBI B24 L
BUS SBI B23 L	47	BUS SBI B24 L
BUS SBI B23 L	48	BUS SBI B24 L
BUS SBI B23 L	49	BUS SBI B24 L
BUS SBI B23 L	50	BUS SBI B24 L
BUS SBI B23 L	51	BUS SBI B24 L
BUS SBI B23 L	52	BUS SBI B24 L
BUS SBI B23 L	53	BUS SBI B24 L
BUS SBI B23 L	54	BUS SBI B24 L
BUS SBI B23 L	55	BUS SBI B24 L
BUS SBI B23 L	56	BUS SBI B24 L
BUS SBI B23 L	57	BUS SBI B24 L
BUS SBI B23 L	58	BUS SBI B24 L
BUS SBI B23 L	59	BUS SBI B24 L
BUS SBI B23 L	60	BUS SBI B24 L
BUS SBI B23 L	61	BUS SBI B24 L
BUS SBI B23 L	62	BUS SBI B24 L
BUS SBI B23 L	63	BUS SBI B24 L
BUS SBI B23 L	64	BUS SBI B24 L
BUS SBI B23 L	65	BUS SBI B24 L
BUS SBI B23 L	66	BUS SBI B24 L
BUS SBI B23 L	67	BUS SBI B24 L
BUS SBI B23 L	68	BUS SBI B24 L
BUS SBI B23 L	69	BUS SBI B24 L
BUS SBI B23 L	70	BUS SBI B24 L
BUS SBI B23 L	71	BUS SBI B24 L
BUS SBI B23 L	72	BUS SBI B24 L
BUS SBI B23 L	73	BUS SBI B24 L
BUS SBI B23 L	74	BUS SBI B24 L
BUS SBI B23 L	75	BUS SBI B24 L
BUS SBI B23 L	76	BUS SBI B24 L
BUS SBI B23 L	77	BUS SBI B24 L
BUS SBI B23 L	78	BUS SBI B24 L
BUS SBI B23 L	79	BUS SBI B24 L
BUS SBI B23 L	80	BUS SBI B24 L
BUS SBI B23 L	81	BUS SBI B24 L
BUS SBI B23 L	82	BUS SBI B24 L
BUS SBI B23 L	83	BUS SBI B24 L
BUS SBI B23 L	84	BUS SBI B24 L
BUS SBI B23 L	85	BUS SBI B24 L
BUS SBI B23 L	86	BUS SBI B24 L
BUS SBI B23 L	87	BUS SBI B24 L
BUS SBI B23 L	88	BUS SBI B24 L
BUS SBI B23 L	89	BUS SBI B24 L
BUS SBI B23 L	90	BUS SBI B24 L
BUS SBI B23 L	91	BUS SBI B24 L
BUS SBI B23 L	92	BUS SBI B24 L
BUS SBI B23 L	93	BUS SBI B24 L

**A**

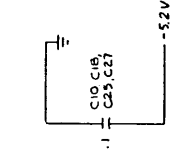
INTERRUPT OPD H	2	BUS SBI B03 L
TWO CHNL L	3	BUS SBI B04 L
BUS SBI B00 H	5	BUS SBI B01 L
BUS SBI B01 L	6	BUS SBI B02 L
BUS SBI B02 L	7	BUS SBI B03 L
BUS SBI B03 L	8	BUS SBI B04 L
BUS SBI B04 L	9	BUS SBI B05 L
BUS SBI B05 L	10	BUS SBI B06 L
BUS SBI B06 L	11	BUS SBI B07 L
BUS SBI B07 L	12	BUS SBI B08 L
BUS SBI B08 L	13	BUS SBI B09 L
BUS SBI B09 L	14	BUS SBI B10 L
BUS SBI B10 L	15	BUS SBI B11 L
BUS SBI B11 L	16	BUS SBI B12 L
BUS SBI B12 L	17	BUS SBI B13 L
BUS SBI B13 L	18	BUS SBI B14 L
BUS SBI B14 L	19	BUS SBI B15 L
BUS SBI B15 L	20	BUS SBI B16 L
BUS SBI B16 L	21	BUS SBI B17 L
BUS SBI B17 L	22	BUS SBI B18 L
BUS SBI B18 L	23	BUS SBI B19 L
BUS SBI B19 L	24	BUS SBI B20 L
BUS SBI B20 L	25	BUS SBI B21 L
BUS SBI B21 L	26	BUS SBI B22 H
BUS SBI B22 H	27	BUS SBI B23 L
BUS SBI B23 L	28	BUS SBI B24 L
BUS SBI B24 L	29	BUS SBI B25 L
BUS SBI B25 L	30	BUS SBI B26 L
BUS SBI B26 L	31	BUS SBI B27 L
BUS SBI B27 L	32	BUS SBI B28 L
BUS SBI B28 L	33	BUS SBI B29 L
BUS SBI B29 L	34	BUS SBI B30 L
BUS SBI B30 L	35	BUS SBI B31 L
BUS SBI B31 L	36	BUS SBI B32 L
BUS SBI B32 L	37	BUS SBI B33 L
BUS SBI B33 L	38	BUS SBI B34 L
BUS SBI B34 L	39	BUS SBI B35 L
BUS SBI B35 L	40	BUS SBI B36 L
BUS SBI B36 L	41	BUS SBI B37 L
BUS SBI B37 L	42	BUS SBI B38 L
BUS SBI B38 L	43	BUS SBI B39 L
BUS SBI B39 L	44	BUS SBI B40 L
BUS SBI B40 L	45	BUS SBI B41 L
BUS SBI B41 L	46	BUS SBI B42 L
BUS SBI B42 L	47	BUS SBI B43 L
BUS SBI B43 L	48	BUS SBI B44 L
BUS SBI B44 L	49	BUS SBI B45 L
BUS SBI B45 L	50	BUS SBI B46 L
BUS SBI B46 L	51	BUS SBI B47 L
BUS SBI B47 L	52	BUS SBI B48 L
BUS SBI B48 L	53	BUS SBI B49 L
BUS SBI B49 L	54	BUS SBI B50 L
BUS SBI B50 L	55	BUS SBI B51 L
BUS SBI B51 L	56	BUS SBI B52 L
BUS SBI B52 L	57	BUS SBI B53 L
BUS SBI B53 L	58	BUS SBI B54 L
BUS SBI B54 L	59	BUS SBI B55 L
BUS SBI B55 L	60	BUS SBI B56 L
BUS SBI B56 L	61	BUS SBI B57 L
BUS SBI B57 L	62	BUS SBI B58 L
BUS SBI B58 L	63	BUS SBI B59 L
BUS SBI B59 L	64	BUS SBI B60 L
BUS SBI B60 L	65	BUS SBI B61 L
BUS SBI B61 L	66	BUS SBI B62 L
BUS SBI B62 L	67	BUS SBI B63 L
BUS SBI B63 L	68	BUS SBI B64 L
BUS SBI B64 L	69	BUS SBI B65 L
BUS SBI B65 L	70	BUS SBI B66 L
BUS SBI B66 L	71	BUS SBI B67 L
BUS SBI B67 L	72	BUS SBI B68 L
BUS SBI B68 L	73	BUS SBI B69 L
BUS SBI B69 L	74	BUS SBI B70 L
BUS SBI B70 L	75	BUS SBI B71 L
BUS SBI B71 L	76	BUS SBI B72 L
BUS SBI B72 L	77	BUS SBI B73 L
BUS SBI B73 L	78	BUS SBI B74 L
BUS SBI B74 L	79	BUS SBI B75 L
BUS SBI B75 L	80	BUS SBI B76 L
BUS SBI B76 L	81	BUS SBI B77 L
BUS SBI B77 L	82	BUS SBI B78 L
BUS SBI B78 L	83	BUS SBI B79 L
BUS SBI B79 L	84	BUS SBI B80 L
BUS SBI B80 L	85	BUS SBI B81 L
BUS SBI B81 L	86	BUS SBI B82 L
BUS SBI B82 L	87	BUS SBI B83 L
BUS SBI B83 L	88	BUS SBI B84 L
BUS SBI B84 L	89	BUS SBI B85 L
BUS SBI B85 L	90	BUS SBI B86 L
BUS SBI B86 L	91	BUS SBI B87 L
BUS SBI B87 L	92	BUS SBI B88 L
BUS SBI B88 L	93	BUS SBI B89 L
BUS SBI B89 L	94	BUS SBI B90 L

REFERENCE DESIGNATIONS NOT USED

RESISTOR R2, R3, B, C	
CAPACITOR	C31
INTEGRATED CIRCUIT	U146
DIODE	CR4
RESISTOR	R10
RESISTOR MODULE	RM3
SWITCH	SW1
JUMPER	X

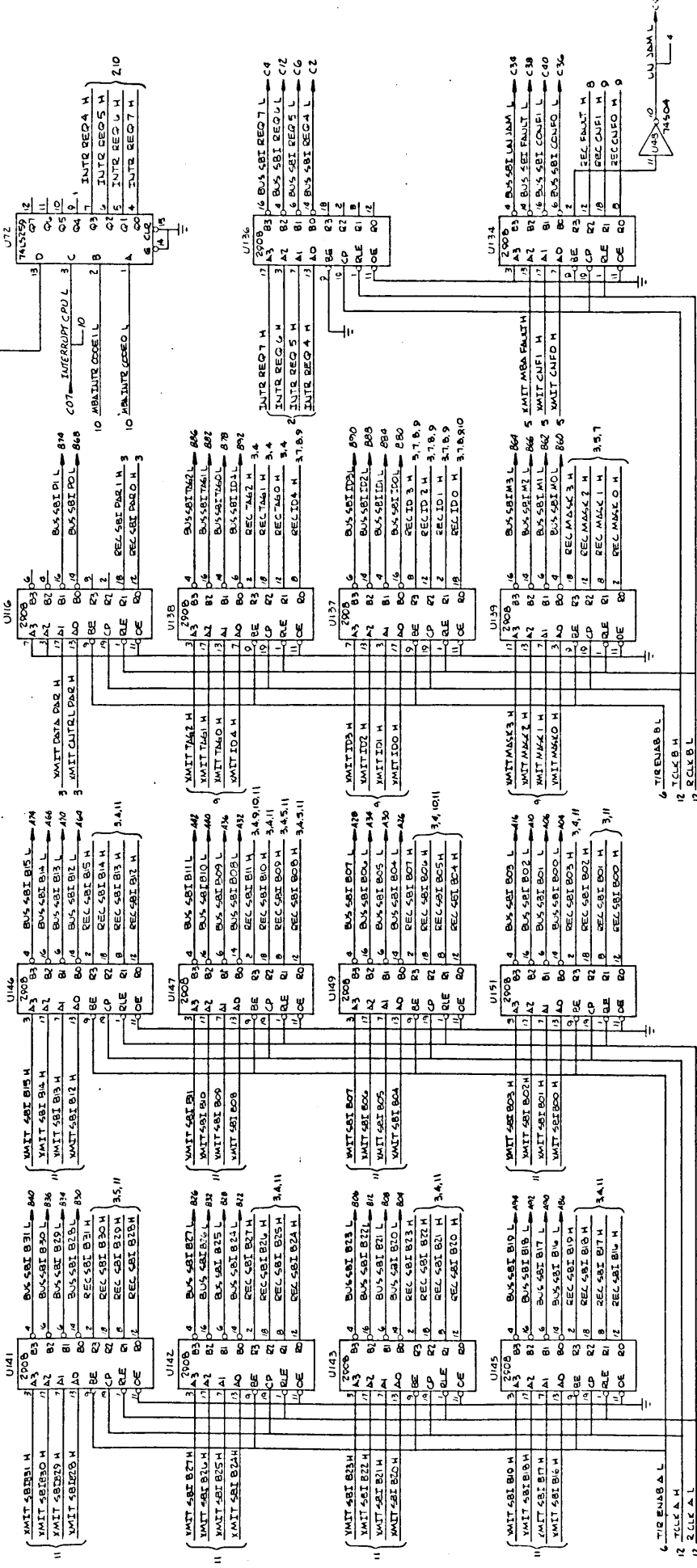
REFERENCE DESIGNATION	GATES USED PER TOTAL	PART NUMBER
U84	2/4	74508
U85	2/4	74508
U87	3/4	10125
U89	3/4	10125
U93	3/6	74504
U94	1/3	10105
U10	3/4	10125
U111	1/2	745140

REFERENCE DESIGNATION	GATES USED PER TOTAL	PART NUMBER
U12	2/3	74511
U14	3/4	74532
U16	3/4	74500
U19	1/2	74512
U20	2/4	74500
U23	2/3	74510
U24	3/4	74508
U25	2/3	74511
U26	1/2	74510
U28	3/4	74500
U37	2/3	74510
U45	3/6	74504
U47	1/2	74524
U48	3/6	74524
U54	2/4	74502
U55	2/6	74504
U60	2/6	74504
U64	3/4	74508
U65	2/4	74532
U68	3/4	10125
U70	3/4	74500
U75	1/2	74500
U78	4/6	74504
U80	3/6	74504
U93	5/6	74504

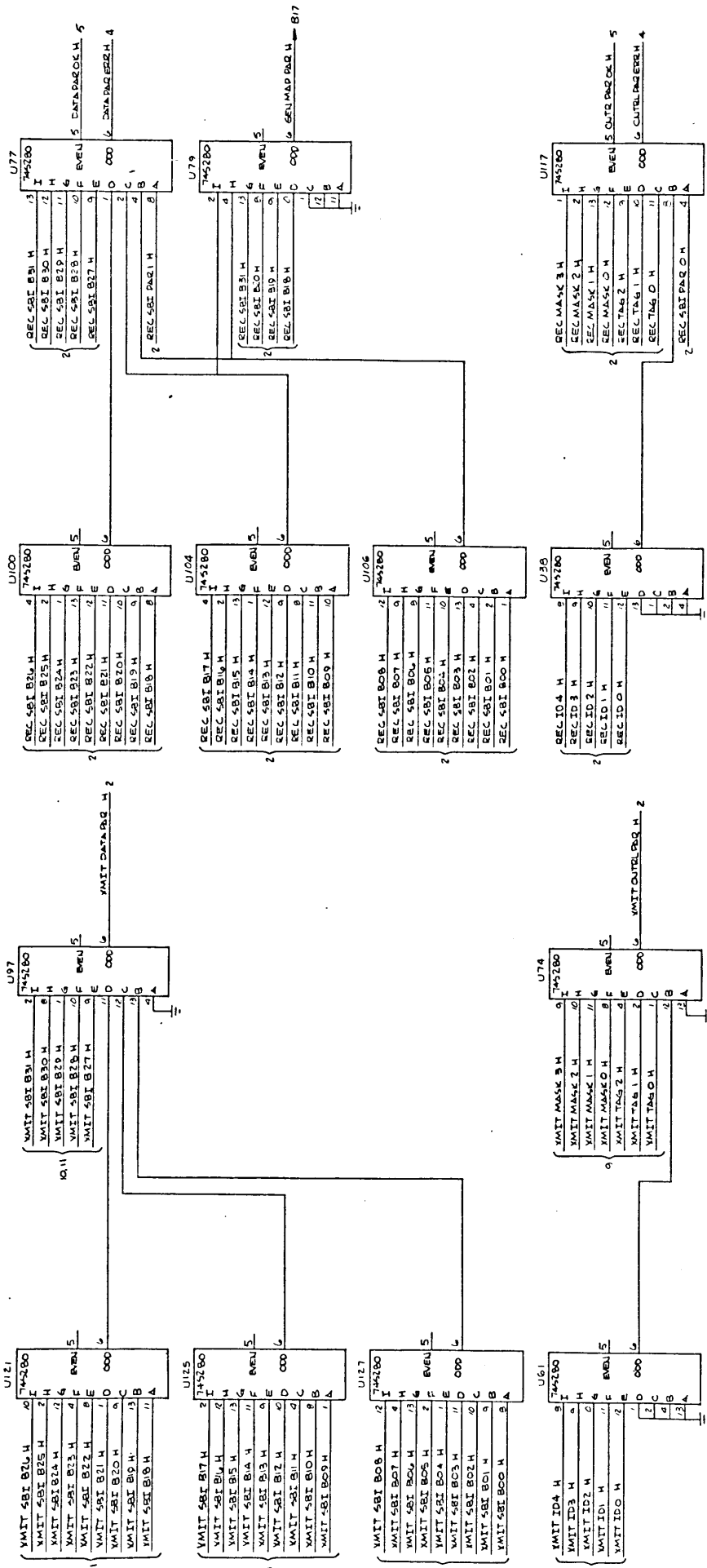


+5V  
R4  
IK

PU1-45, 6, 10



SBI INTERFACE TRANSCEIVERS



TRANSMIT PARITY GENERATOR

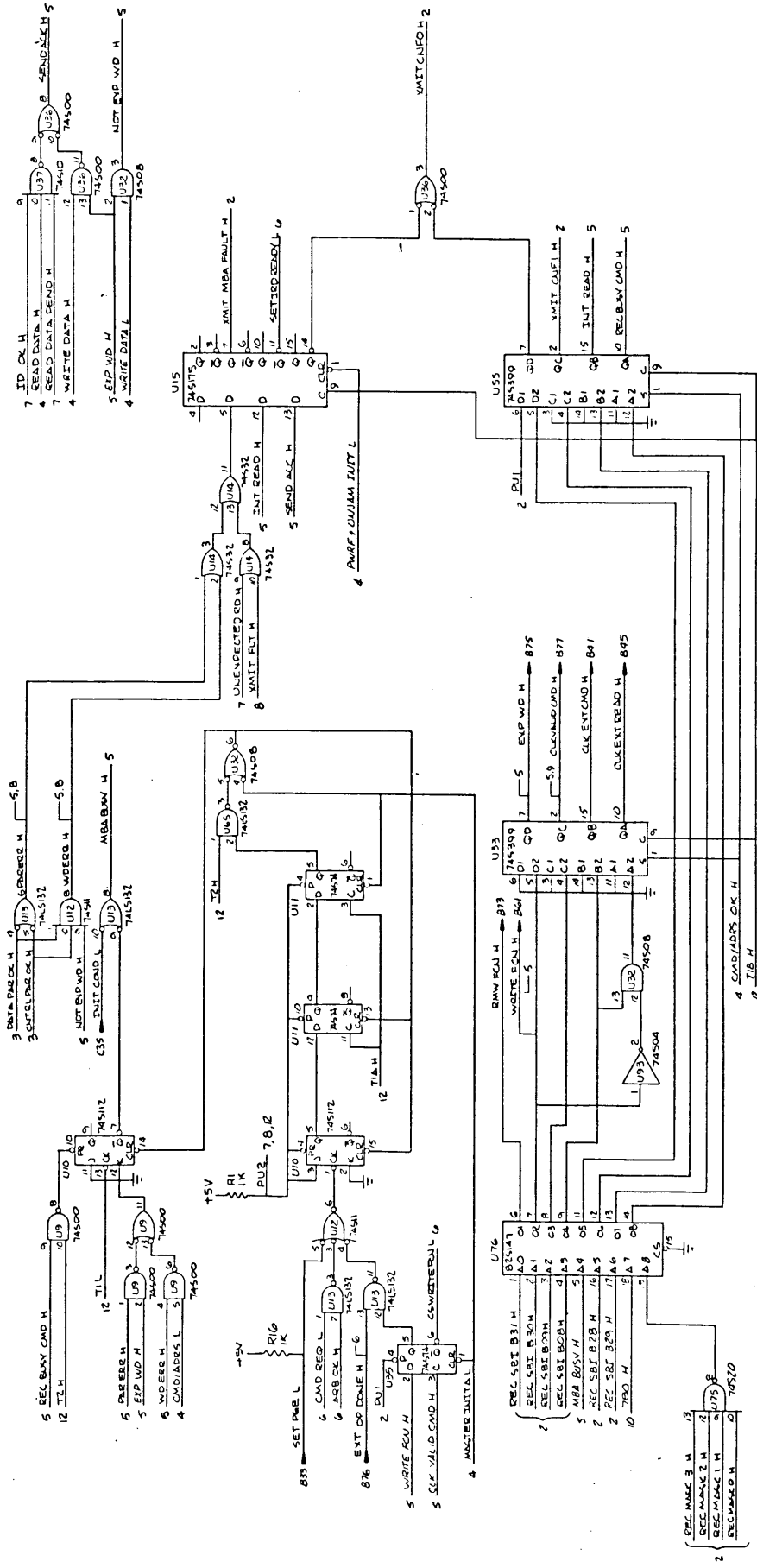
RECEIVE PARITY CHECKER



MBA BUSY LOCK

TRANSMIT MBA FAULT LOGIC

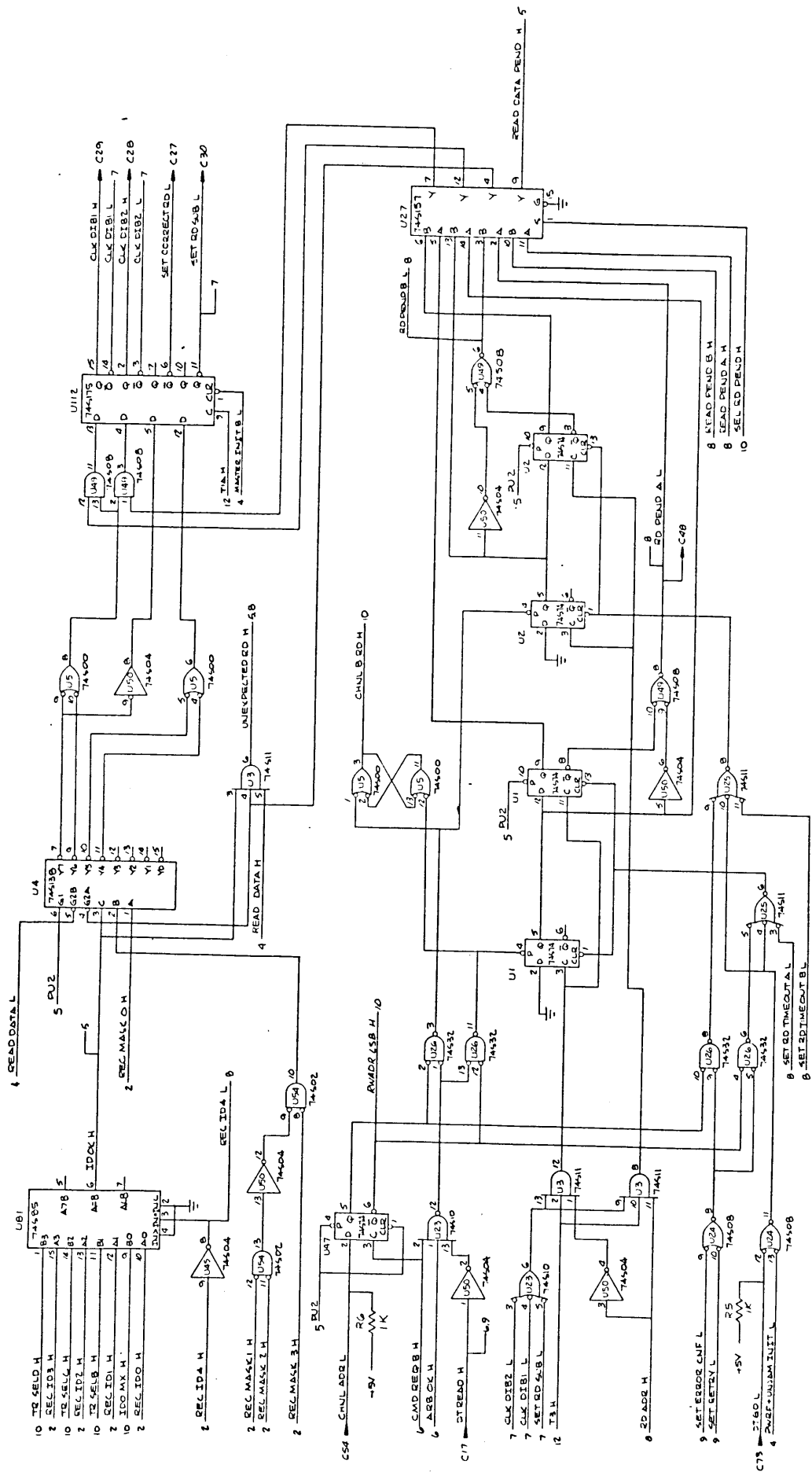
READ DATA/WRITE DATA ACKNOWLEDGE



RECEIVED COMMAND DECODE AND CONFIRMATION TRANSMIT

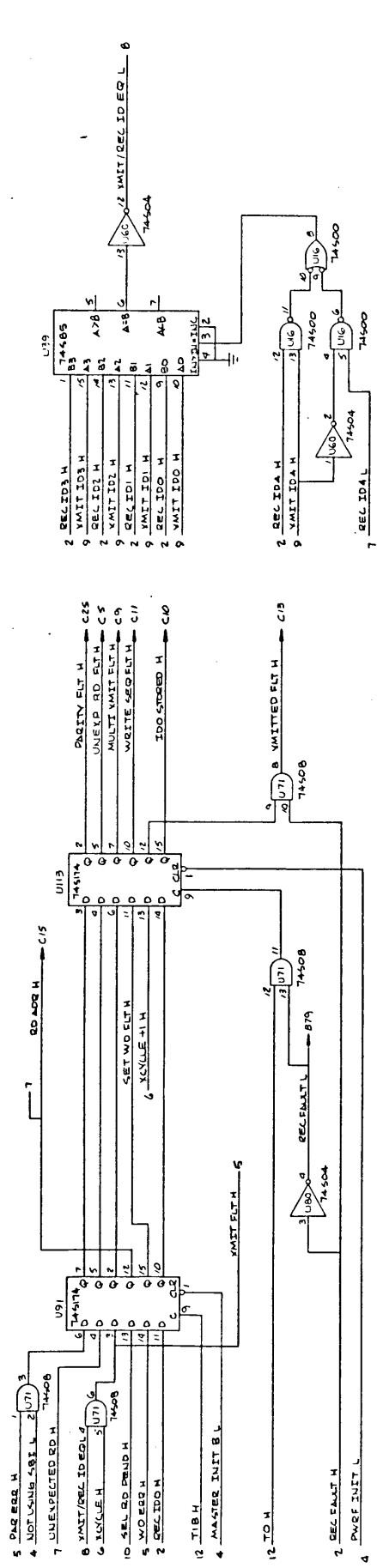


READ DATA RECEIVED CONTROL

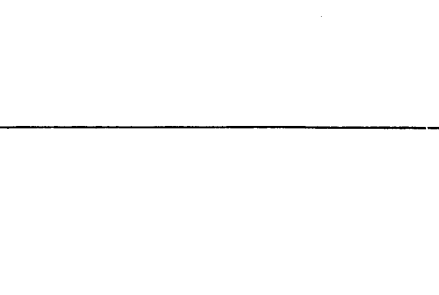


READ DATA PENDING CONTROL

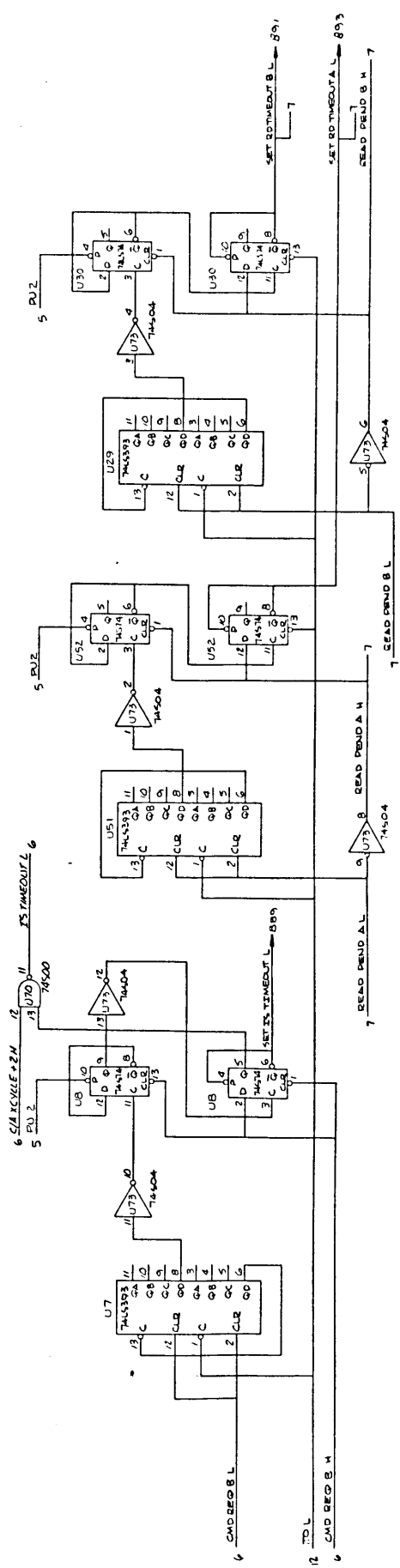
TRANSMITTED ID CHECK



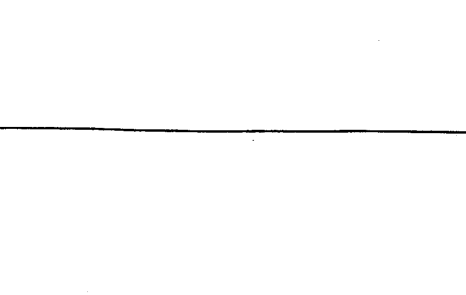
SBI FAULT STATUS



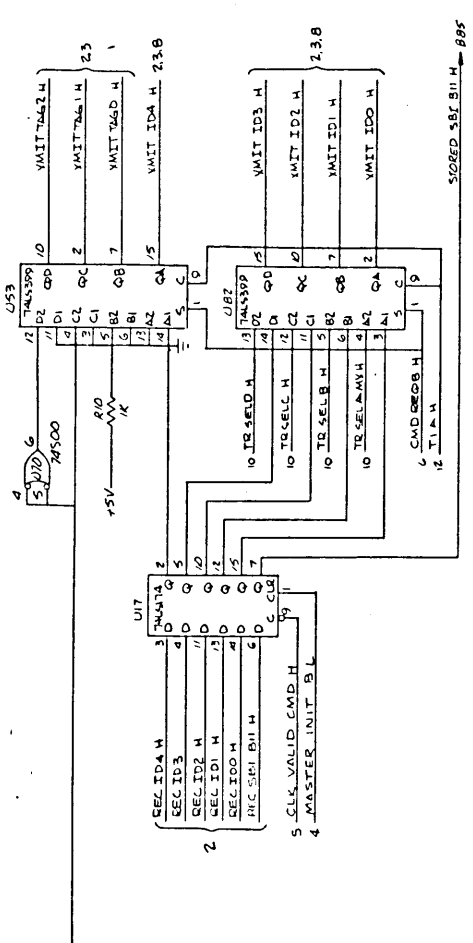
INTERAKE SEQUENCE TIMEOUT



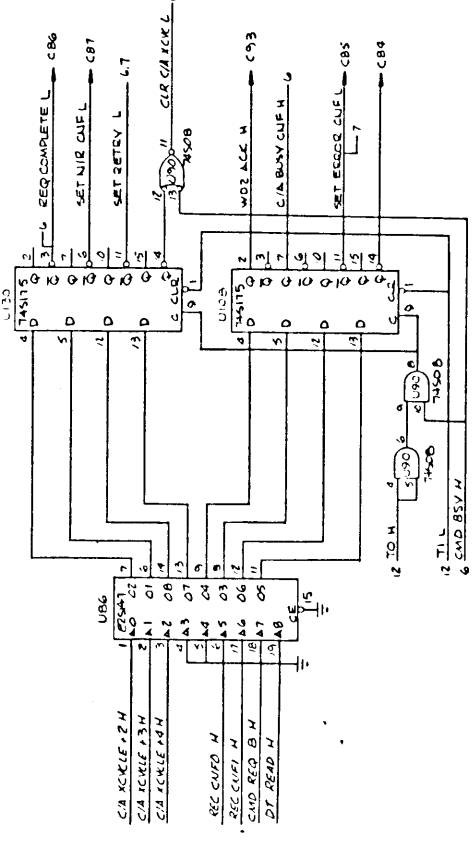
READ DATA PENDING TIMEOUT



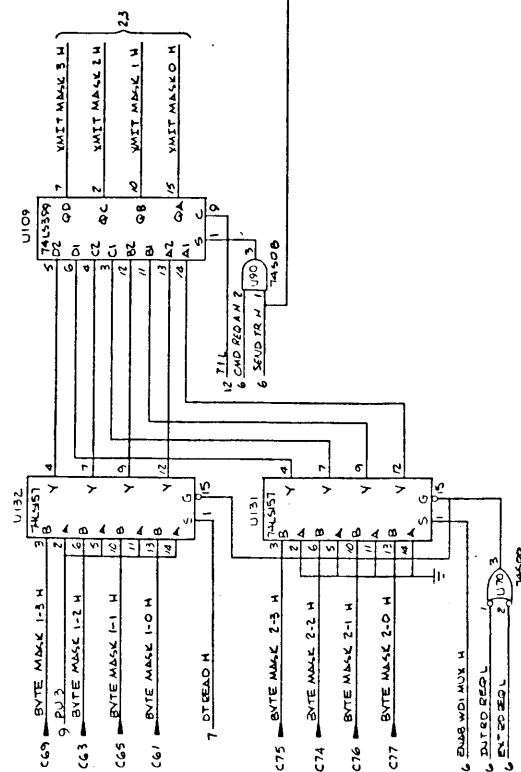
TRANSMIT TAG AND I.D.

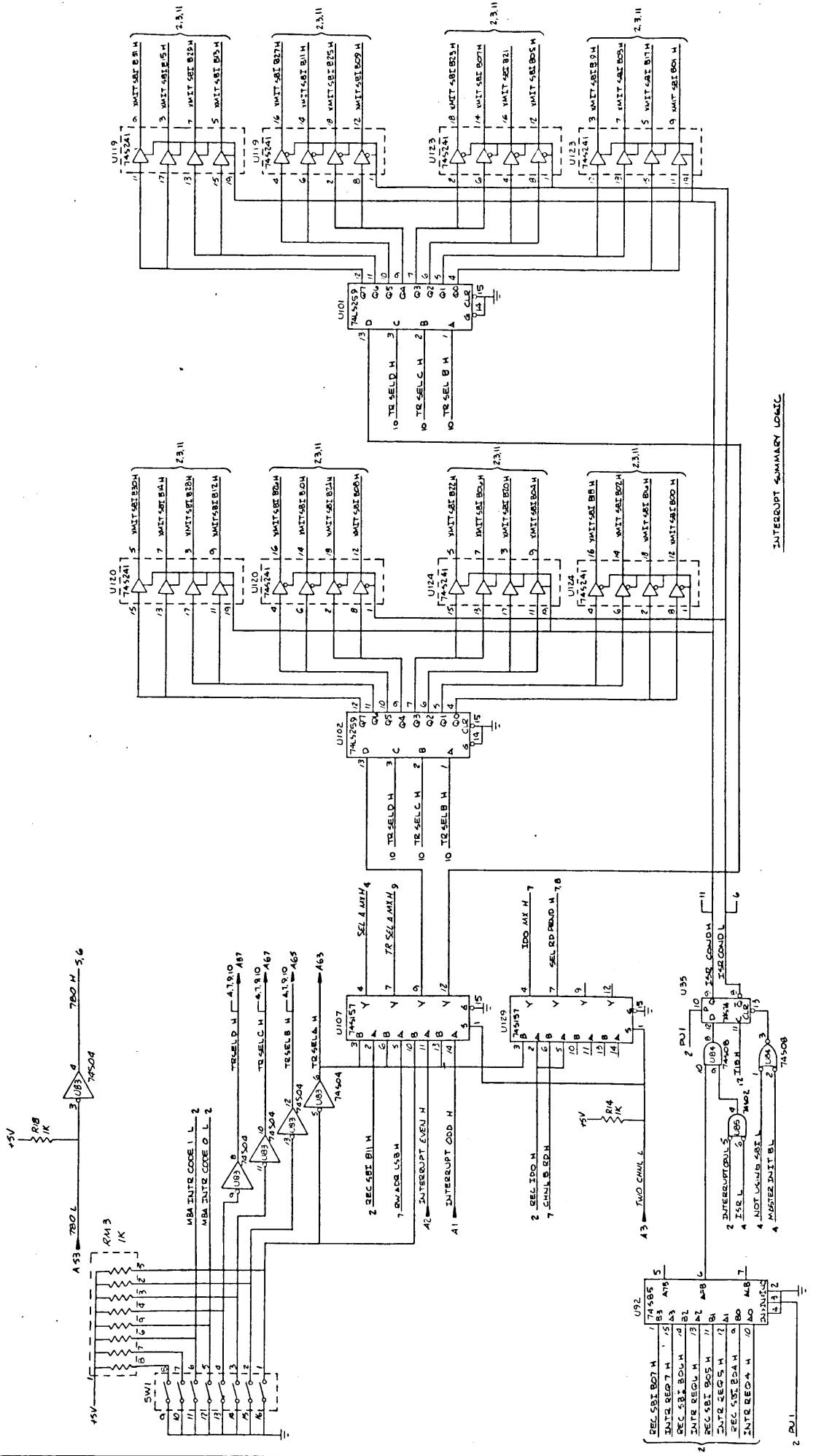


TRANSMITTED COMMAND CONFIRMATION CHECK, BUS REQUEST CONTROL

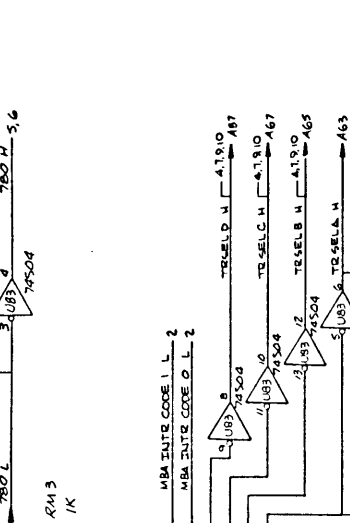
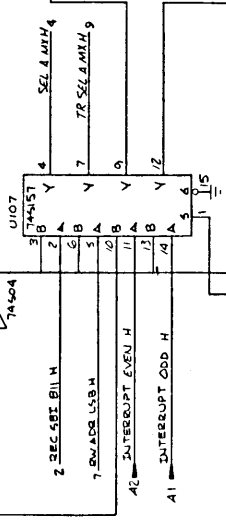
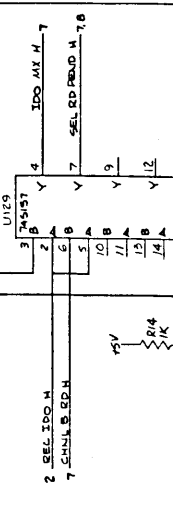
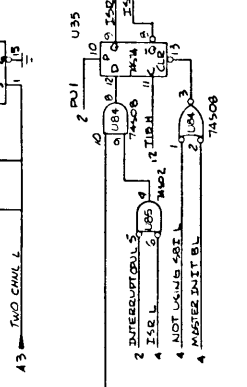
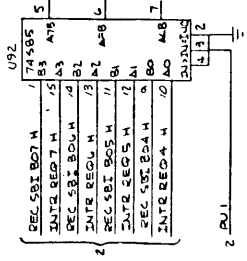


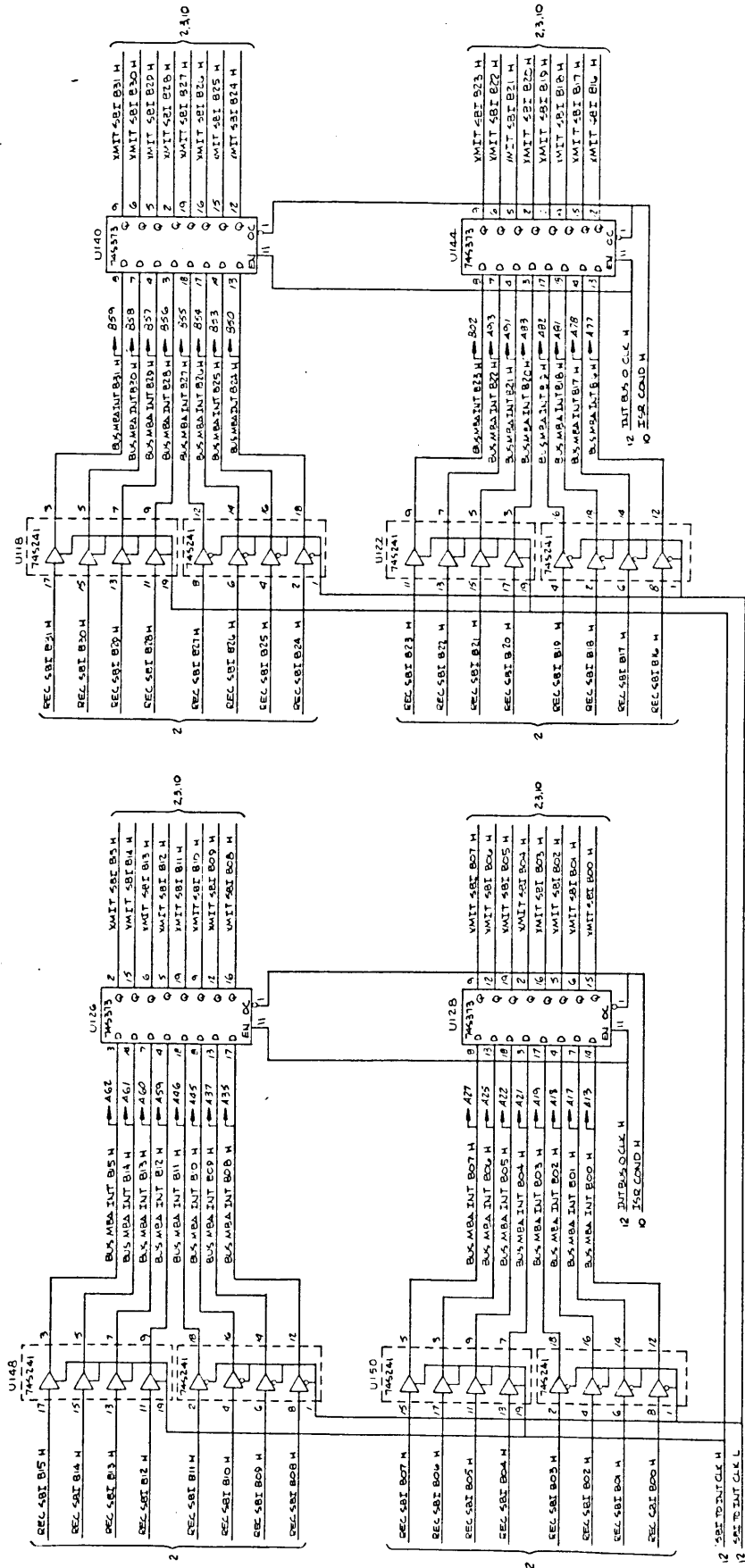
TRANSMIT MASK





INTERRUPT SUMMARY LOGIC





BUS MBA INT DRIVERS AND RECEIVERS

