

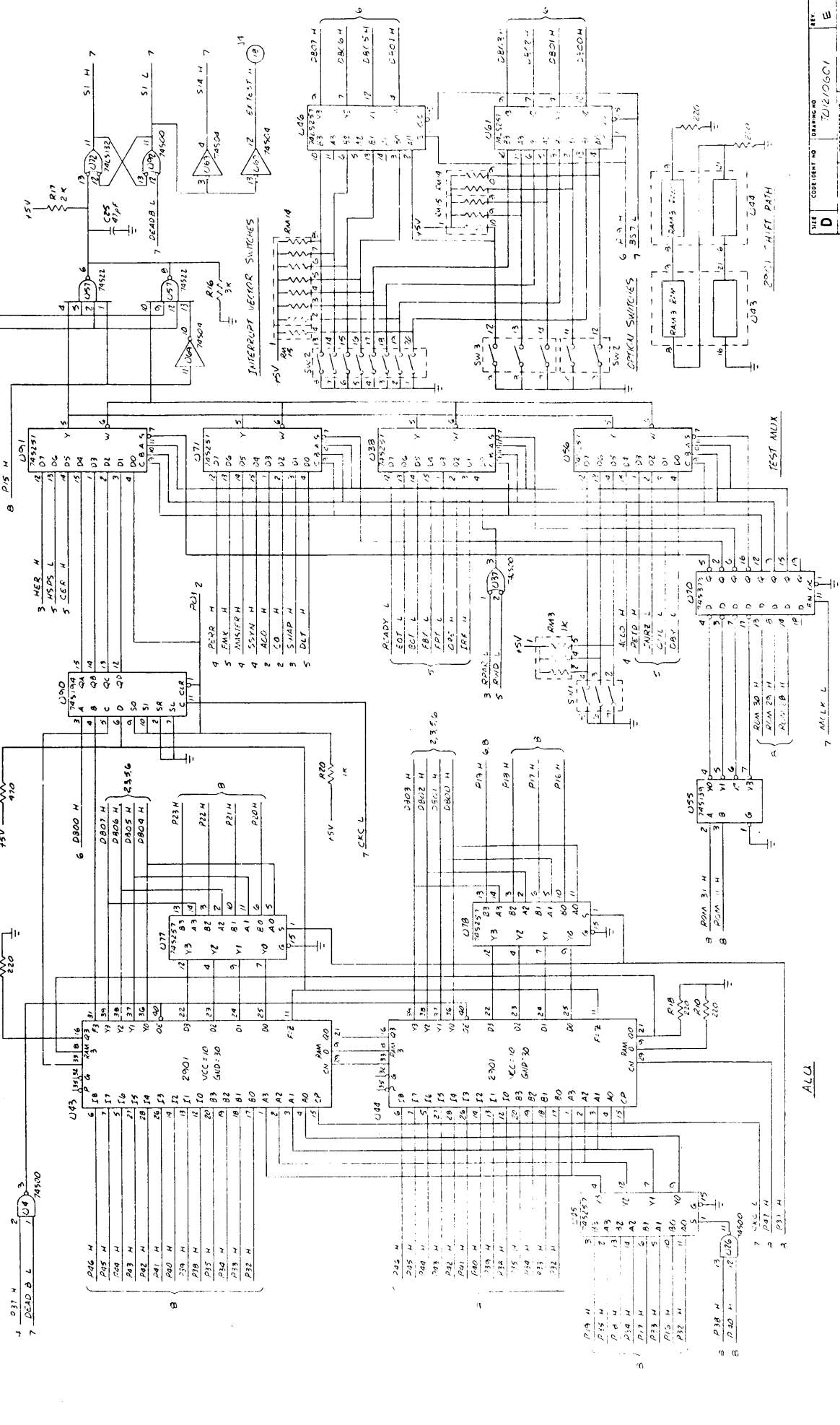
WRITE DATA REGISTER AND CONTROL

READ DATA REGISTER AND CONTROL

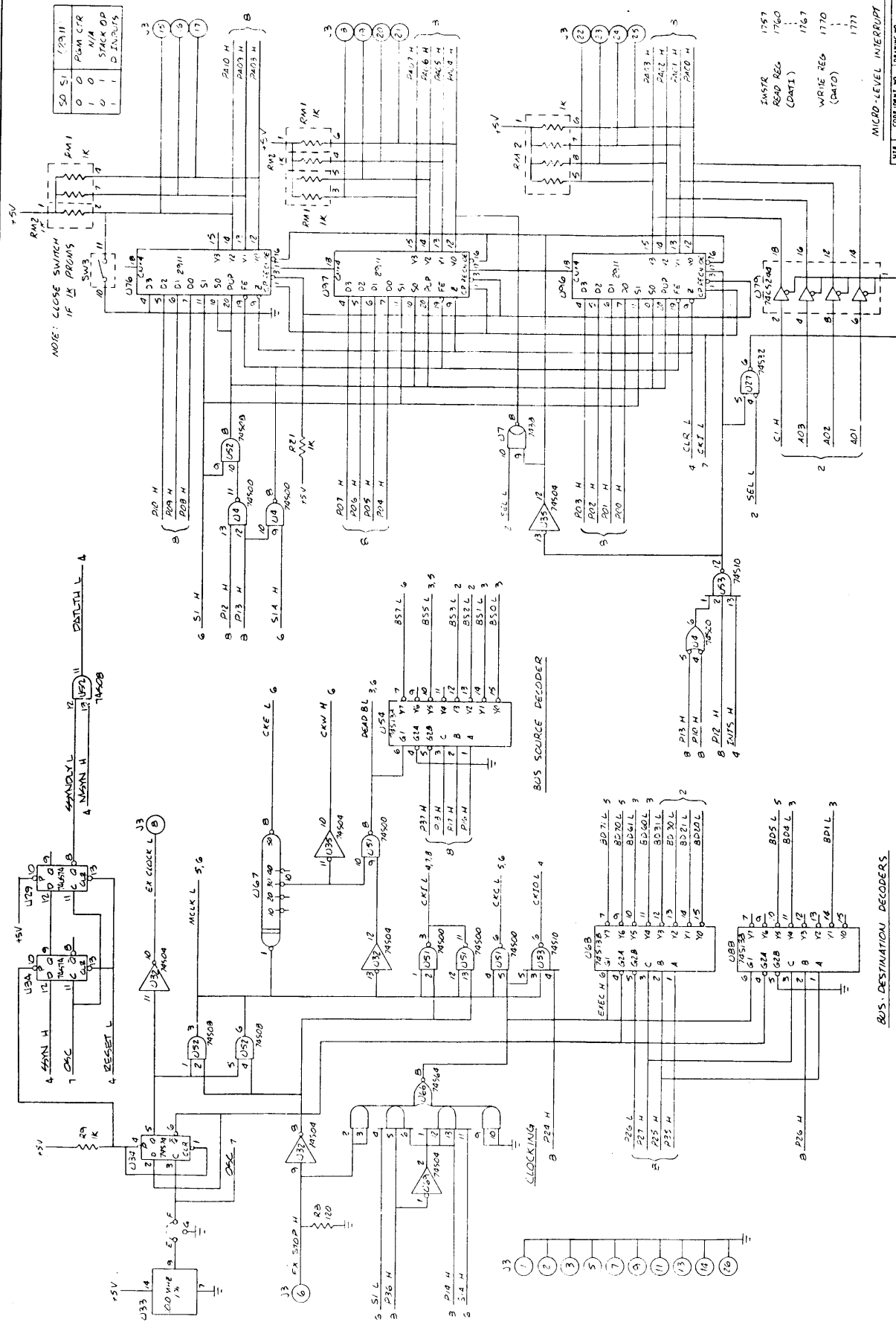
TEST SAMPLING

ALO FLAGS

TEST MUX



ALU



NOTE: CLOSE SWITCH IF IN PROGRAMS

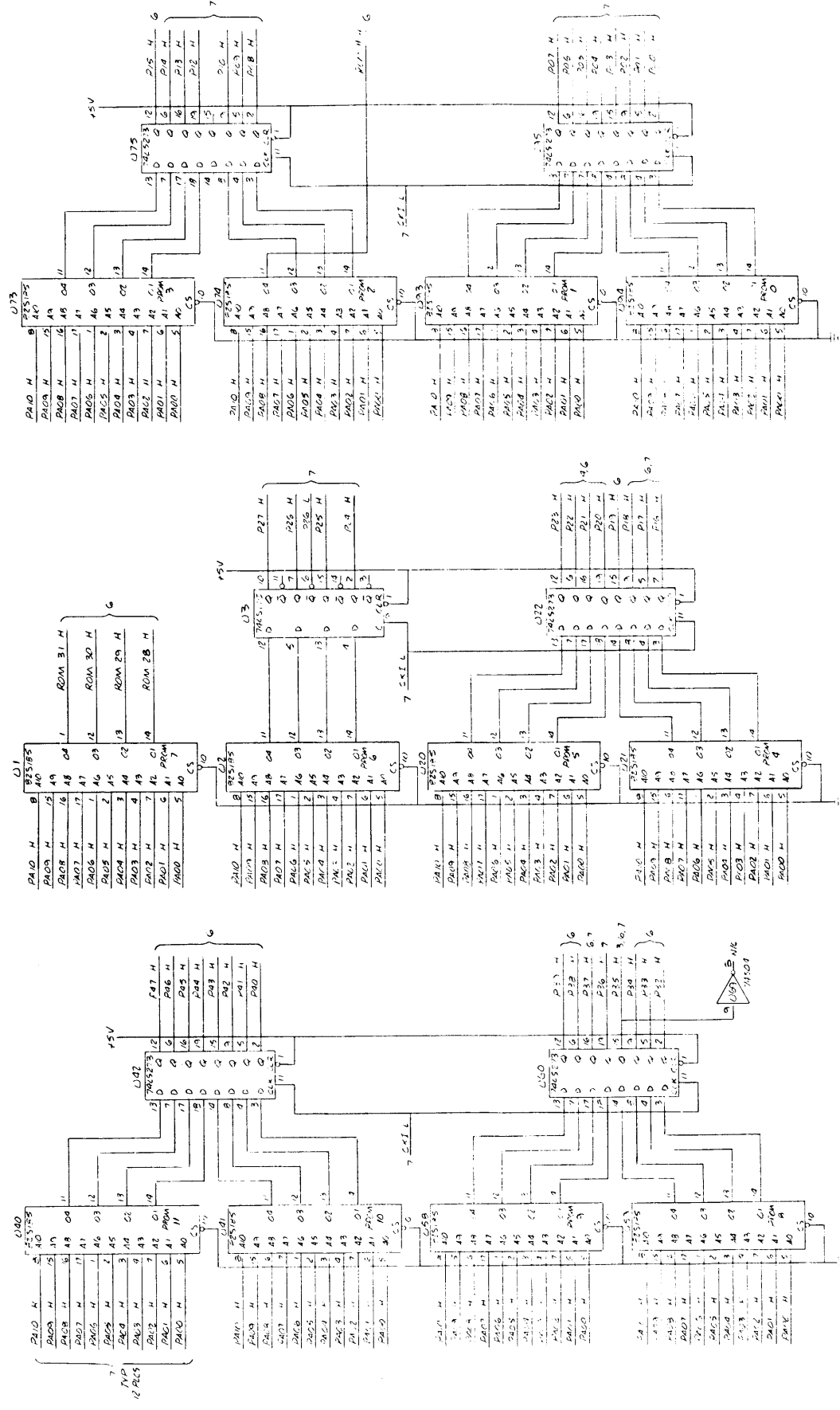
SD	SI	SP	SI
0	0	0	0
1	0	1	0
0	1	0	1
1	1	1	1

BUS SOURCE DECODER

BUS DESTINATION DECODERS

MICRO-LEVEL INTERRUPT TABLE

WRITE REG	1757
READ REG	1760
(DATA)	1767
WRITE REG	1770
(DATA)	1777



CONTROL MEMOR 1