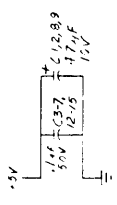
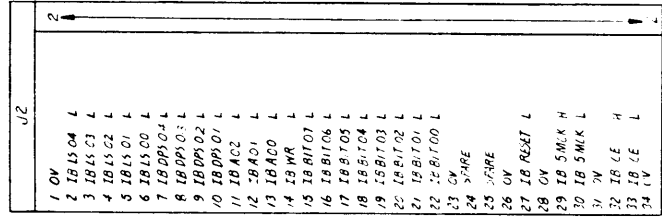
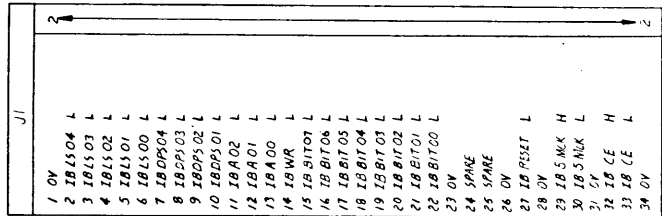
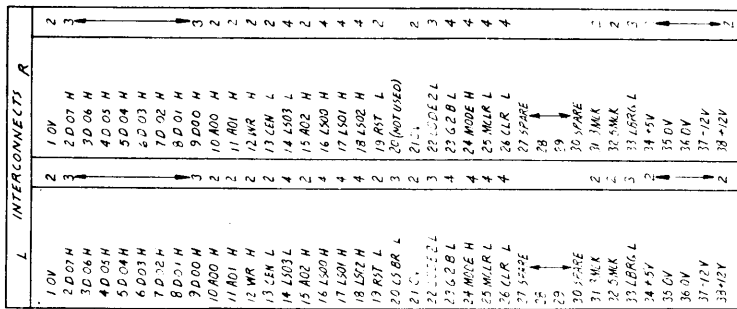


INTERFACE BUS

ZONE	LIB	REV	DATE	APPROVED
A	ECCO #1047	INITIAL RELEASE	2/27/73	W
B	ECCO #91	INCORPORATED	1/28/74	W

REVISIONS	DATE	APPROVED
1	2/27/73	W
2	1/28/74	W



- NOTES: UNLESS OTHERWISE SPECIFIED
- CAPACITANCE VALUES ARE IN MICROFARADS.
 - RESISTANCE VALUES ARE IN OHMS, 1% W, 15%.
 - DATA IN CONTROLLER/DAILY CHAIN.
 - DATA OUT-TO TERMINATOR/DAILY CHAIN.
 - ⊞ DENOTES INTERCONNECT PIN.

LAST REFERENCE DESIGNATION USED	
CAPACITOR	C15
CONNECTOR	U3
DIODE	CR1
INTEGRATED CIRCUIT	U33
PREDIATOR	R13
RESISTOR	R16
SWITCH	SW3

REFERENCE DESIGNATION	GATES USED PER TOTAL	PART NUMBER
U5	5/8	741-4
U7	2/4	74-50
U3	2/4	74LS32
U7	2/4	74-72
U33	3/4	333
U3	1/2	74LS14

SWITCH LOCATIONS	
SW1 (L)	3
SW1 (R)	3
SW2 (L)	3
SW2 (R)	3
SW3	1

JUMPER LOCATIONS	
A, B, C	2

SHEET 1	NUMBER OF SHEETS	TITLE
SHEET 2	NUMBER OF SHEETS	INTERFACE BOARD
SHEET 3	NUMBER OF SHEETS	INTERFACE BOARD - C132

SCALE: NONE

DATE: 1/28/74

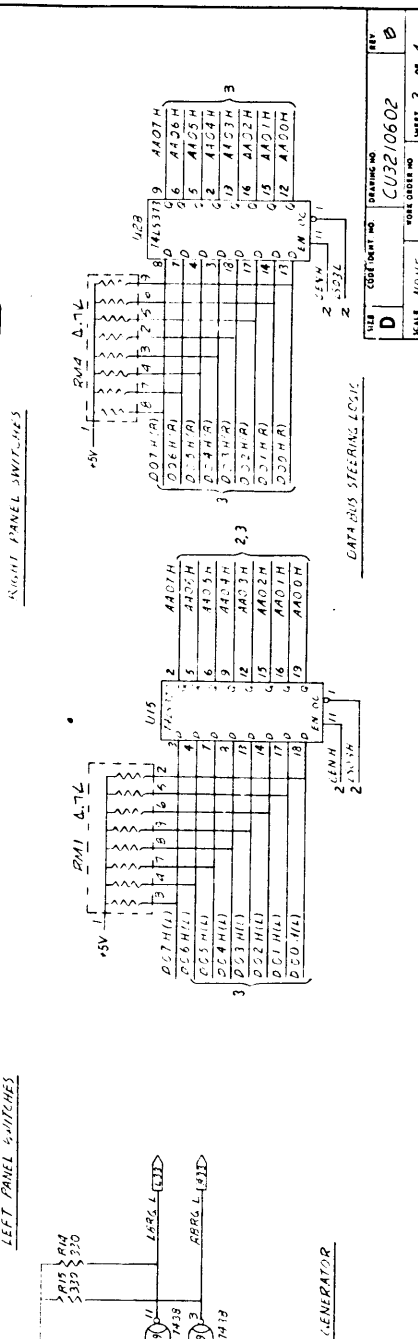
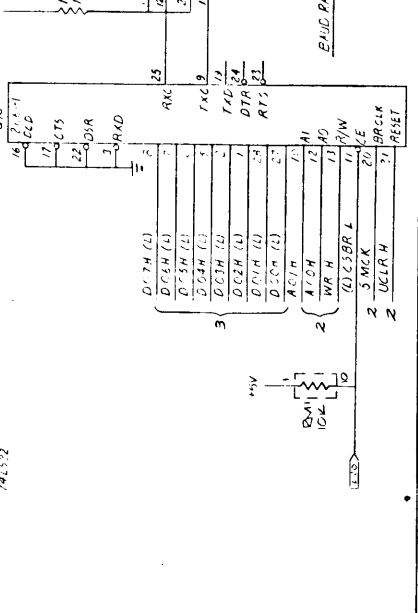
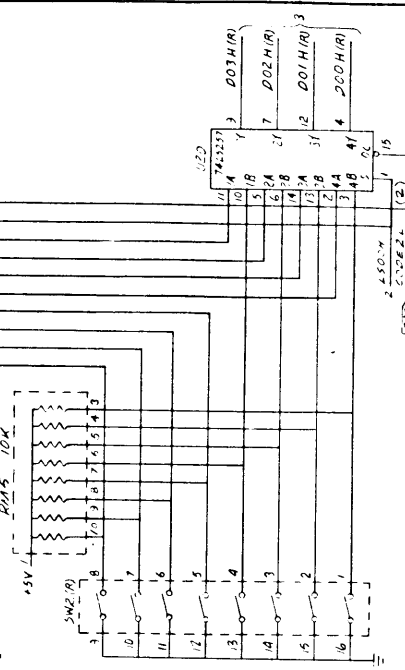
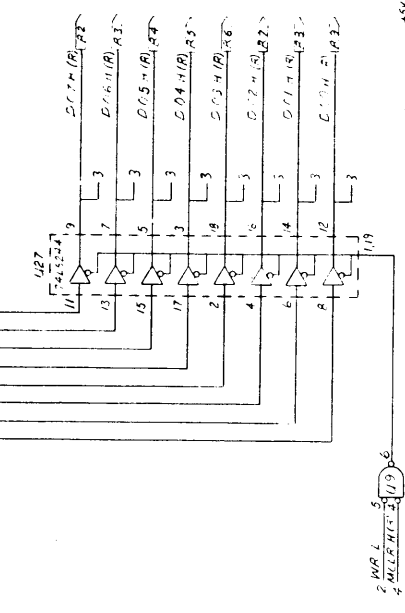
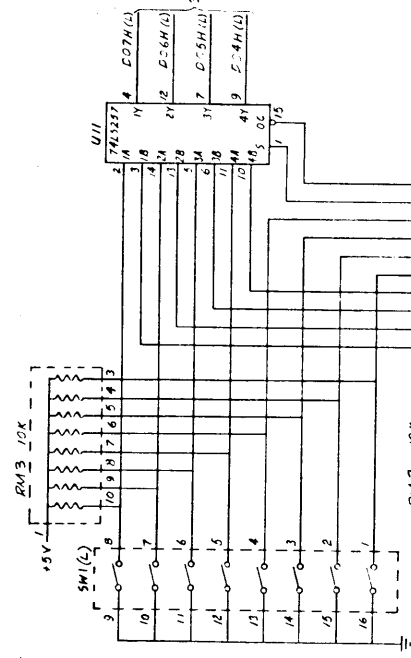
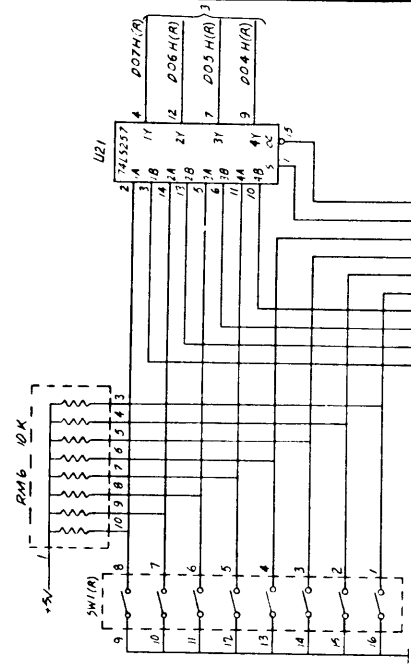
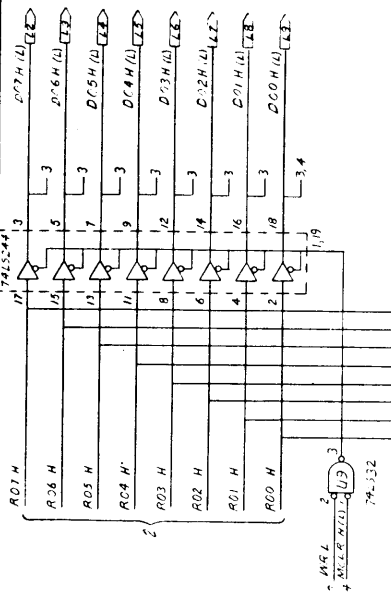
DESIGNED BY: [Signature]

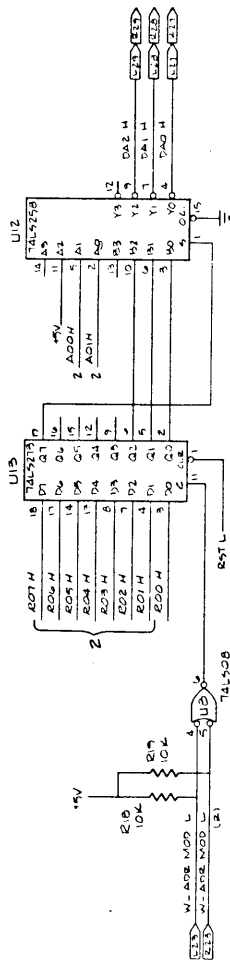
CHECKED BY: [Signature]

APPROVED BY: [Signature]

DO NOT SCALE DRAWING

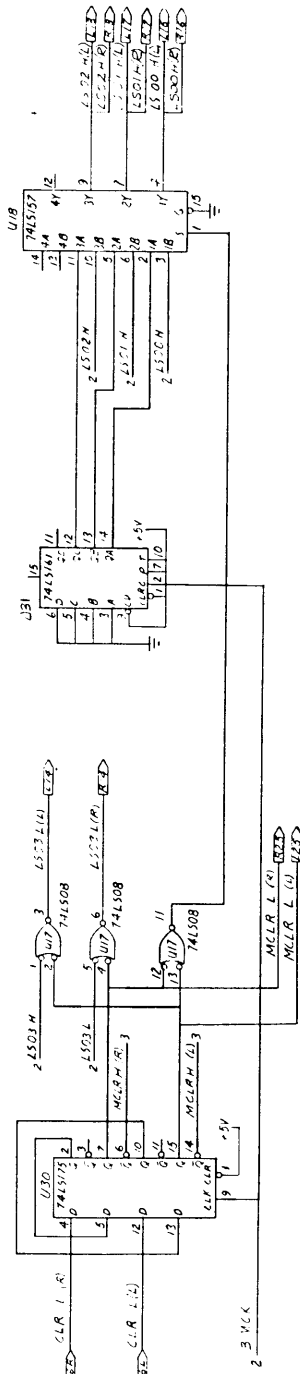
DATA BUS STEERING LOGIC





DUACT ADDRESS

ARE MODE REG.



RESET MODEM SIGNAL CIRCUITRY