

THIS DRAWING AND THE SPECIFICATIONS CONTAINED HEREIN ARE CONFIDENTIAL AND PROPRIETARY. THEY ARE THE PROPERTY OF DIGITAL EQUIPMENT CORPORATION AND SHALL NOT BE REPRODUCED OR COPIED OR USED IN WHOLE OR IN PART AS THE BASIS FOR MANUFACTURING OR SALE OF ITEMS WITHOUT WRITTEN PERMISSION. THIS IS AN UNPUBLISHED WORK PROTECTED UNDER THE FEDERAL COPYRIGHT LAWS.

FIELD MAINTENANCE PRINT SET

TABLE OF CONTENTS

K-TC-DLVJ1-0-1 FIELD MAINTENANCE PRINT SET
 K-DD-DLVJ1-0 DLVJ1 DRAWING DIRECTORY
 K-PL-DLVJ1-0-0 DLVJ1 OPTION
 E-DD-M8043-0 4 SERIAL LINE PER CTRL.
 D-UA-M8043-0-0 4 SERIAL LINE PER CTRL.
 K-PL-M8043-0-DBP 4 SERIAL LINE PER CTRL.
 D-CS-M8043-0-1 4 SERIAL LINE PER CTRL.
 C-UA-H3270-0-0 CONNECTOR, TEST

UNIT VARIATIONS COVERED BY THIS PRINT SET

DLVJ1-M
 DLVJ1-LP

DLVJ1
 FIELD MAINTENANCE PRINT SET

DIGITAL EQUIPMENT CORPORATION
 PRINT SET ORDER NO.
 MP00989-01 REV A1

REVISION HISTORY

CONT. REVISION HISTORY

REVI	ECO NUMBER	DATE	REVI	ECO NUMBER	DATE
A	INITIAL	14 OCT 83			

MADE BY: R. ROBICHAUD
 DATE: 14 OCT 83

CHECKED BY: J. FALKOWSKI
 DATE: 5 DEC 83 *J. Falkowski*

PROJECT ENGR: R. BERGERON
 DATE: 7 Dec 83 *R. Bergeron*

RSPELE ENGR: M. LAWRENCE
 DATE: 7 Dec 83 *R. Bergeron*

FIELD SERVICE: S. CRANSTON
 DATE: 15 DEC 83 *S. Cranston*

d i s t r i b u t e d

TITLE: FIELD MAINTENANCE PRINT SET

DLVJ1

SIZE | CODE | DOCUMENT NUMBER | REV.
 K | TC | DLVJ1-0-1 | A

SHEET 1 OF 1

"THE MATERIAL HEREIN IS FOR INFORMATION PURPOSES ONLY AND IS SUBJECT TO CHANGE WITHOUT NOTICE. DIGITAL EQUIPMENT CORPORATION ASSUMES NO RESPONSIBILITY FOR ANY ERRORS WHICH MAY APPEAR HEREIN."

DRAWING DIRECTORY

"THIS DRAWING AND SPECIFICATIONS, HEREIN, ARE THE PROPERTY OF DIGITAL EQUIPMENT CORPORATION AND SHALL NOT BE REPRODUCED OR COPIED OR USED IN WHOLE OR IN PART AS THE BASIS FOR THE MANUFACTURE OR SALE OF ITEMS WITHOUT WRITTEN PERMISSION. COPYRIGHT (C) 1983 DIGITAL EQUIPMENT CORPORATION"

FOR FIELD MAINTENANCE PRINT SET REFER TO K-TC-DLVJ1-0-1

UNIT VARIATIONS

VARIATION	TITLE
DLVJ1-M DJVJ1-LP	4 LINE ASYNC BASE OPTION (M8043) SYSTEM INTEGRATED DLVJ1-M

REVISION HISTORY			USED ON OPTION/MODEL	RESPONSIBLE ENG.	d i g i t a l			
ENG	ECO NUMBER	REV		DATE	TITLE			
---	INITIAL	A	DLVJ1	DATE : 9-DEC-83	DRAWING DIRECTORY			
				MADE BY : R. ROBICHAUD DATE : 14 OCT 83	DLVJ1			
				CHECKED BY : J. FALKOWSKI DATE : 9 DEC 83				
				DESIGN ENGINEER : R. BERGERON DATE : 9-DEC-83				
				PRODUCTION ENG. : R. GARCIA DATE : 9-DEC-83	SIZE	CODE	DOCUMENT NUMBER	REV.
					K	DD	DLVJ1-0	A
					SHEET 1 OF 2		EDIT # 0001	

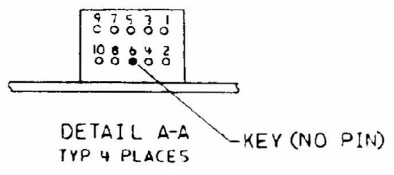
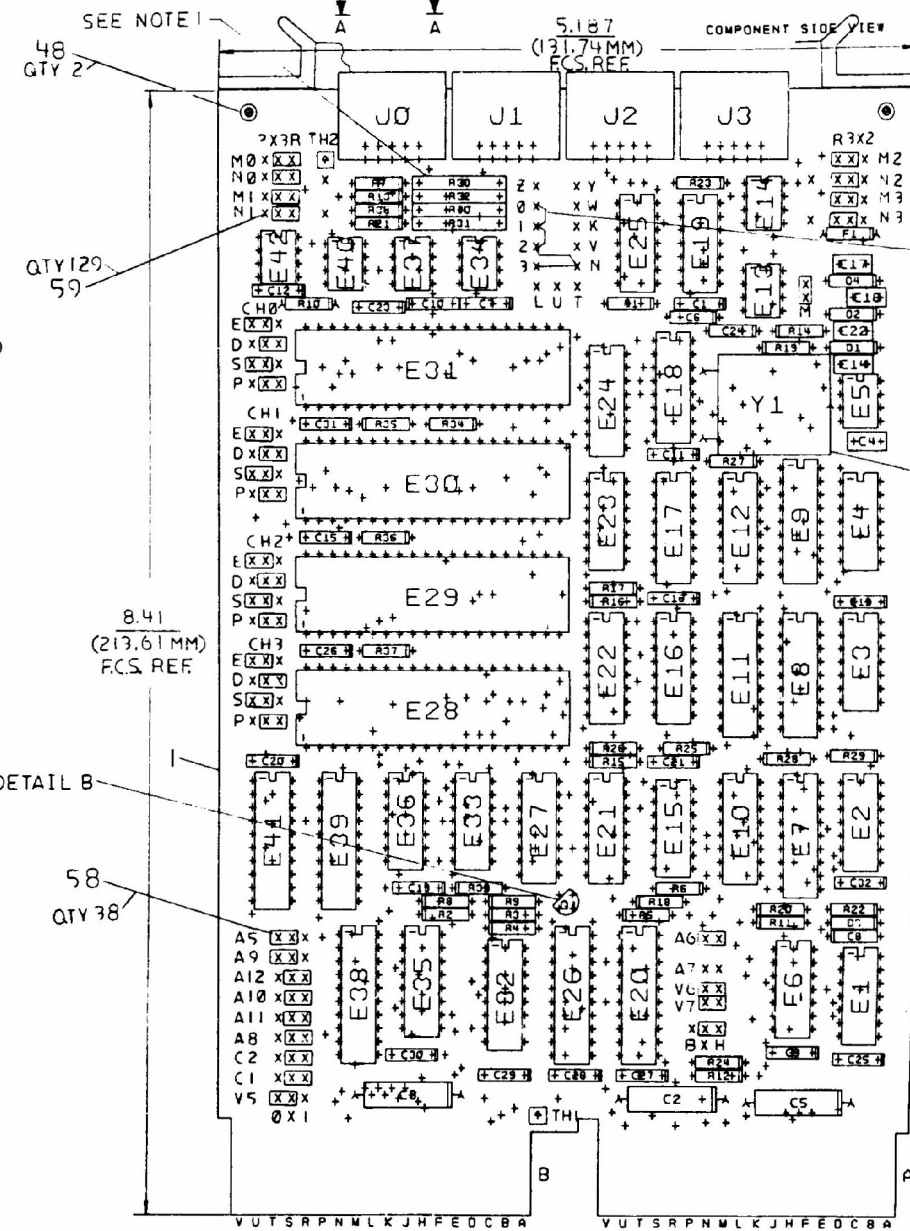
LINE ITEM	DOCUMENT NUMBER	PART NUMBER	DESCRIPTION	QUANTITY PER VARIATION	
				M	LP
1	D-UA-M8043-0-0	M8043-00	DLV11-J,4-SERIAL LINE PERIPHEREL	1	1
2	K-PL-CKDLVJ1-0-0	CKDLVJ1-00	CABKIT REF TO K-AR-CKCKREF-0-0	-	1
3	K-PL-7020911-0-0	7020911-01	SHIPPING LIST DLVJ1	A/R	-
4	A-PL-H3270-A-0	H3270-A	KIT OF 4 H3270	1	1

NOTE: CKDLVJ1-00 IS A REFERENCE VARIANT ONLY. SEE K-AR-CKCKREF-0-0 FOR EXACT VARIANT APPLICATION.

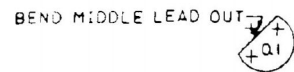
REVISION HISTORY		BASIC PART NO:	DLVJ1	DRN:	R. ROBICHAUD	DATE:	14-OCT-83	D I G I T A L				
ENG	ECO NUMBER	REV	SECTION A OF A	CHK'D:	<i>J. Falkowski</i>	DATE:	9-DEC-83	TITLE	PARTS LIST			
---	INITIAL	A	SECTION, VARIATION INDEX		<i>R. Bergeron</i>	DATE:	9 Dec 83	DLVJ1 OPTION				
			(A) M, LP	DES.ENG.:	R. BERGERON	DATE:	14-OCT-83	DOCUMENT NUMBER				
			(B)	RESP.ENG.:	M. LAWRENCE	DATE:	14-OCT-83	SIZE	CODE	NUMBER	REV	
			(C)	MFG.ENG.:	R. GARCIA <i>R. Garcia</i>	DATE:	9-DEC-83	K	PL	DLVJ1-0-0	A	
			(D)	ASSEMBLY NUMBER:		TOP DOCUMENT NUMBER:	#K-DD-DJVJ1-0	FILE NAME:	MK1031.PLS		EDIT #	6
			(E)									
			(F)									

"THIS DRAWING AND SPECIFICATIONS HEREIN, ARE THE PROPERTY OF DIGITAL EQUIPMENT CORPORATION AND SHALL NOT BE REPRODUCED OR COPIED OR USED IN WHOLE OR IN PART AS THE BASIS FOR THE MANUFACTURE OR SALE OF ITEMS WITHOUT WRITTEN PERMISSION. COPYRIGHT (C) 1983, DIGITAL EQUIPMENT CORPORATION"

THIS DRAWING AND SPECIFICATIONS ARE THE PROPERTY OF GTE SOUTHERN BELL COMPANY. IT IS TO BE REPRODUCED OR COPIED IN WHOLE OR IN PART WITHOUT THE PERMISSION OF THE COMPANY. COPYRIGHT © 1984 GTE SOUTHERN BELL COMPANY



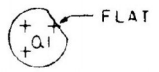
DETAIL -B
Q1 MOUNTING



T0-92
(AS PICTURED ON UA AT RIGHT)



T0-16
(METAL CAN)



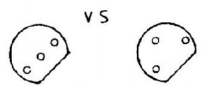
T0-105/106
(ROUND TOP PLASTIC)



FOR LEADS IN A TRIANGULAR PATTERN

NOTE: DIFFERENCE

T0-92 PAT



CHK	DRAWN BY	ENGINEER	CHANGE NO	DATE	REV

CHK	DRAWN BY	ENGINEER	CHANGE NO	DATE	REV

NOTES:
1, R30-R33 ARE OPTIONAL.
2, CASE OF Y1 MUST BE INSULATED FROM PCB WITH ITEM 53.

STEP E	+ Y AXIS	STEP	TIMES
REPEAT	+ X AXIS 5.187	STEP	L TIMES

ETCH REV.	FL-P2
-----------	-------

SIGNATURES		DATE
DRN. B.H. FRASER		
CHK'D. [Signature]		
MECH. ENG. [Signature]		
PROJ. ENG. [Signature]		
PROD. [Signature]		
SCALE 2/1	SIZE CODE	NUMBER
SHT. 0 OF 1	0 UA	M8043-0-0
NEXT HIGHER ASSY. B-00-M8043-0		

digital

TITLE 4 SERIAL LINE PER CTRL.

LINE	ITEM	TOP DOCUMENT	PART NUMBER	MIN REV	DESCRIPTION	QTY	PER VARIATION	REFERENCE DESIGNATOR
						00		
								VARIATION REVISION LEVEL:
1	1	D-MD-5013216-0-0	5013216-00		4-SERIAL LINE PER CTRLR	1		
2	2		1012784-00		.047 MFD 50V +80-20%	21		C1,C7,C9-C13,C15,C16,C19-C21,
								CONT C23,C25-C32
3	3		1012084-01		8 MFD 25V +75-10%	3		C2,C3,C5
4	4		1010279-00		.47 MFD 25V 20%	5		C4,C14,C17,C18,C22
5	5		1013466-06		100.0 MMF 50V 5%	1		C6
6	6		1013466-04		33.0 MMF 50V 5%	1		C24
7	7		1100114-00		PIV= 25 IO=135 MA	3		D1,D2,D4
8	8		1100100-00		PIV= 25 IO=100 MA 450NS	1		D3
9	9		1213506-04		PCB HEADER 09PIN(2X05).100CC 90D	4		J0-J3
10	10		1210929-06		FUSE, SUB-MINI, 2.000A, 125V, A	1		F1
11	11		1213543-01		HANDLE, UNIBUS MODULE, MAGENTA	1		
12	12		1300271-00		220.0 .25 x 5.0 %	2		R1,R2
13	13		1301424-00		680.0 .25 x 5.0 %	7		R3,R6,R15-R18,R24
14	14		1300316-00		470.0 .25 x 5.0 %	10		R4,R5,R8,R9,R20,P25-P29
15	15		1300488-00		12.0 K .25 x 5.0 %	4		R7,R13,R21,R38
16	16		1301808-00		22.0 K .25 x 5.0 %	2		R10,R23
17	17		1300295-00		330.0 .25 x 5.0 %	2		R11,R12
18	18		1309595-00		1.0 M .25 x 5.0 %	1		R19
19	19		1300417-00		2.20 K .25 x 5.0 %	2		R14,R22
20	20		1300426-00		2.70 K .25 x 5.0 %	4		R34-R37
21	21		1811110-01		XTAL 614.4 KHZ	1		Y1
22	22		1911469-00		DEC 8640 RECEIVER, BUS, QUAD, U	1		E1
23	23		1912803-00		LS04 INVERTER GATE, HEX	1		E2
24	24		1909004-00		DEC 7402 NOR GATE-QUAD 2IN	1		E3
25	25		1912816-00		LS32 OR GATE-QUAD 2IN, POS	2		E4,E15
26	26		1912098-00		0026 DRIVER, MCS CLOCK, 2	1		E5
27	27		1909705-00		DEC 8881 NAND GATE-QUAD 2IN D	1		E6
28	28		1912730-00		DC 003 INTERRUPT, 2 CIRCUIT	4		E7-E9,E11
29	29		2346742-00		42-05	1		E10

REVISION HISTORY			BASIC PART NO: M8043		DRN:	E. WILSON	DATE:	2-MAR-78	DIGITAL			
ENG:	ECO NUMBER	REV	SECTION A OF A		CHK'D:	R. A. CAUNTER	DATE:	2-MAR-78	TITLE PARTS LIST			
MN	00001	IC	SECTION VARIATION INDEX		DES. ENG:	T. ZAJAC	DATE:	2-MAR-78	DOCUMENT NUMBER			
ITZ	MR002	!D	[A]	00	RESP. ENG.:	T. ZAJAC	DATE:	2-MAR-78	SIZE	CODE	NUMBER	REV
RS	MR003	!E	[B]		MFG. ENG.:	K. MERCADO	DATE:	3-MAR-78	K	PL	M8043-0-DBP	L
BL	MR004	!F	[C]		ASSEMBLY NUMBER:		TOP DOCUMENT NUMBER:		FILE NAME:	EDIT #		
BL	MR05B	!P	[D]		ID-UA-M8043-0-0		OLV11-J		MK1107.PLS	21		
IGK	MR06A	!J	[E]									
JC	AB008	!K	[F]									
CC	M8043-MK009	!L	[H]									
			[J]									
			[K]									
			[L]									
			[M]									
			[N]									

"THIS DRAWING AND THE SPECIFICATIONS CONTAINED HEREIN ARE CONFIDENTIAL AND PROPRIETARY. THEY ARE THE PROPERTY OF DIGITAL EQUIPMENT CORPORATION AND SHALL NOT BE REPRODUCED OR COPIED OR USED IN WHOLE OR IN PART AS THE BASIS FOR THE MANUFACTURE OR SALE OF ITEMS WITHOUT WRITTEN PERMISSION. THIS IS AN UNPUBLISHED WORK PROTECTED UNDER THE FEDERAL COPYRIGHT LAWS."

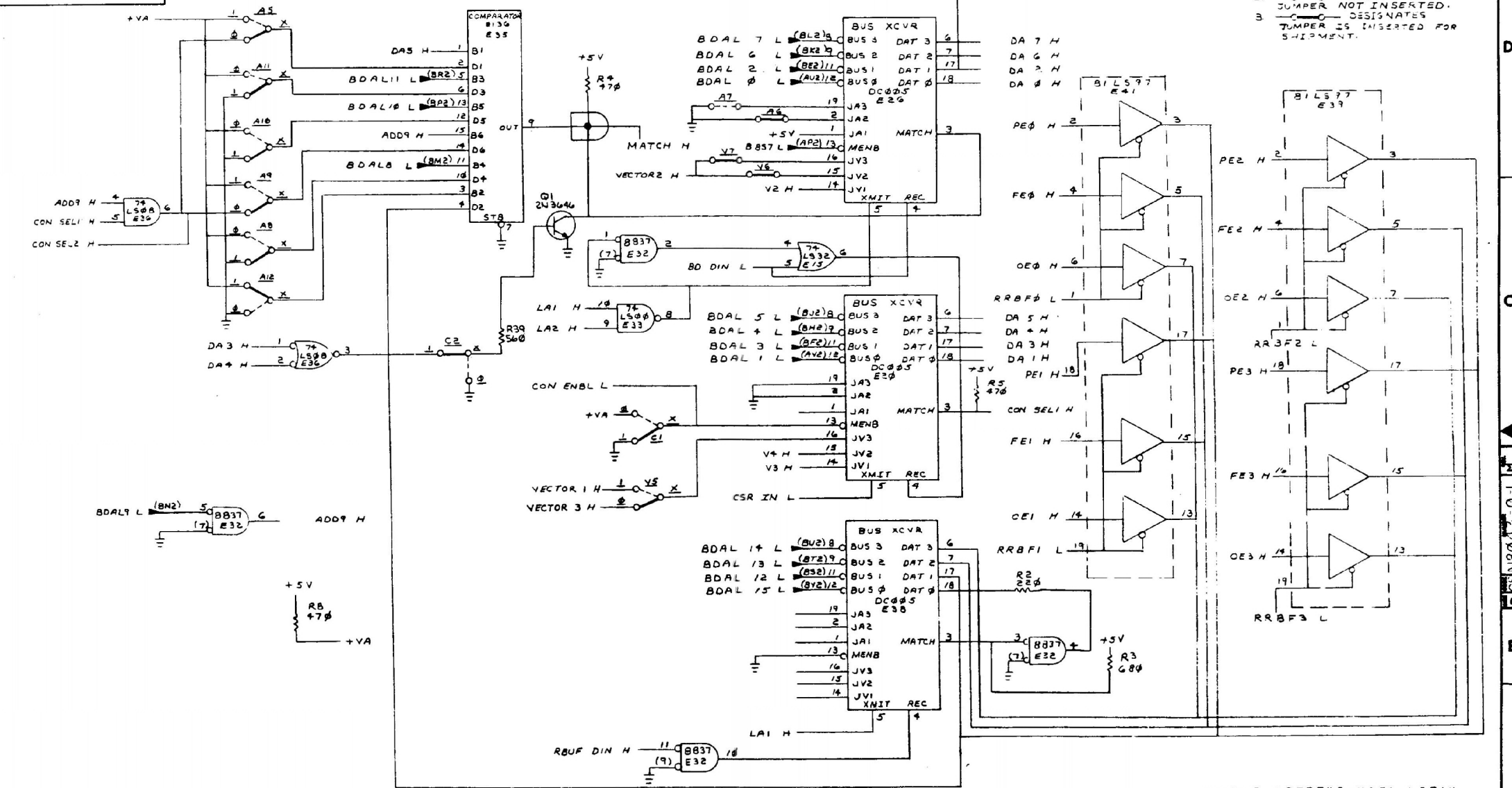
LINE	ITEM	TOE DOCUMENT	PART NUMBER	MIN REV DESCRIPTION	QTY PER VARIATION	REFERENCE DESIGNATOR
				VARIATION REVISION LEVEL:	00	
30	30		1912847-00	LS138 DECODER-THREE INPUT,	1	E12
31	31		1915417-00	9638 DRIVER,DUAL,EIA RS-	2	E13,E42
32	32		1915415-00	9636 DRIVER,DUAL,EIA RS-	2	E14,E40
33	33		1912648-00	LS251 MUX 8 INPUT,TRI-STA	3	E16,E22,E24
34	34		1912860-00	LS259 LATCH 8BIT	1	E17
35	35		2113627-00	4049UBINVERTER-HEX BUFFER-	1	E18
36	36		1912801-00	LS02 NOR-GATE-QUAD 2IN	1	F19
37	37		1913040-00	DC 005 TRANSCEIVER 4BIT	3	E20,E26,E38
38	38		1912697-00	LS174 FF-D HEX W/CLEAR	1	E21
39	39		1912829-00	LS86 X-OR GATE-QUAD 2IN	1	E23
40	40		1914451-00	LS393 COUNTER,BINARY,4BIT	1	E25
41	41		1912846-00	LS155 DECODER,2 OF 4(DUAL)	1	E27
42	42		2113937-00	UART 125K BUAD	4	E28-F31
43	43		1911116-00	DEC 8837 RECEIVER,RUS,HEX,UN	1	E32
44	44		1912799-00	LS00 NAND-GATE-QUAD 2IN,P	1	E33
45	45		1919542-01	9639 RECEIVER,LINE,DUAL	2	E34,E37
46	46		1912805-00	LS08 AND GATE-QUAD 2IN,PO	1	E36
47	47		1914713-00	81LS97 BUFFER GATE-OCTAL 2I	2	E39,E41
48	48		9006732-00	EYELET,POLLED 0.12100X0.219	2	
49	49		9009149-01	*** THIS ITEM IS NOT USED ***	-	
50	50		9105740-22	*** THIS ITEM IS NOT USED ***	-	
51	51		1912395-00	DM 8136 COMPARATOR-6BIT UNIF	1	E35
52	52		1013466-09	1000.0 MWF 50V 10% X7R CER	1	C8
53	53		9107250-10	TUBING,SHRINK .75OD EXP	A/R	
54	54		1301890-00	560.0 .25 x 5.0 % CF	1	P39
55	55		1503014-00	DEC 3646 RPN 200MW S1 15 5 30	1	G1
56	56		9105740-55	WIRE(WRAP) 30AWG KYNAR UL14	A/R	
57	57		9107278-11	*** THIS ITEM IS NOT USED ***	-	
58	58		1218783-00	JUMPER 02PCS(1X2).100CC	38	
59	59		9009149-00	PIN,STAKNG 0.02500X0.345LG SQUAR	129	

- 60 NOTE: 1. IF 1213506-04 IS NOT AVAILABLE,1213506-03 MAY BE USED,HOWEVER BOTTOM MIDDLE PIN MUST BE CLIPPED
- 61 NOTE: (SEE SH1 1 OF D-MA-M8043-0-0)
- 62 NOTE: 2. IF 9009149-00 IS NOT AVAILABLE,9009149-01 MAY BE USED.
- 63 NOTE: 3. 9105740-22 MAY BE SUBSTITUTED FOR 9105740-55 ON WIRE WRAP PINS TO AID INSPECTION.
- 64 NOTE: 4. IF 1503014-00 IS NOT AVAILABLE, 1503100-00 MAY BE USED, HOWEVER, 1503014-00 IS PREFERRED

LOGICAL	TITLE	SECTION A OF A	SIZE	CODE	DOCUMENT NUMBER	REV
	V6043				M8043-0-DBP	L
	4 SERIAL LINE PER. CTRL.		K	PL		

THIS DRAWING AND SPECIFICATIONS, HEREIN ARE THE PROPERTY OF DIGITAL EQUIPMENT CORPORATION AND SHALL NOT BE REPRODUCED OR COPIED OR USED IN WHOLE OR IN PART AS THE BASIS FOR THE MANUFACTURE OR SALE OF ITEMS WITHOUT WRITTEN PERMISSION. COPYRIGHT © 1972, DIGITAL EQUIPMENT CORPORATION

- NOTES:
1. UNDERLINED TERM DESIGNATES LABEL IN ETC.
 2. C-C DESIGNATES JUMPER NOT INSERTED.
 3. C-C DESIGNATES JUMPER IS INSERTED FOR SHIPMENT.



REV	CHANGE NO.	BY	DATE	DESCRIPTION
1	1	J. ZAJAC	11/14/71	INITIAL DESIGN
2	1	J. ZAJAC	11/14/71	REVISION
3	1	J. ZAJAC	11/14/71	REVISION
4	1	J. ZAJAC	11/14/71	REVISION
5	1	J. ZAJAC	11/14/71	REVISION
6	1	J. ZAJAC	11/14/71	REVISION
7	1	J. ZAJAC	11/14/71	REVISION
8	1	J. ZAJAC	11/14/71	REVISION
9	1	J. ZAJAC	11/14/71	REVISION
10	1	J. ZAJAC	11/14/71	REVISION
11	1	J. ZAJAC	11/14/71	REVISION
12	1	J. ZAJAC	11/14/71	REVISION
13	1	J. ZAJAC	11/14/71	REVISION
14	1	J. ZAJAC	11/14/71	REVISION
15	1	J. ZAJAC	11/14/71	REVISION
16	1	J. ZAJAC	11/14/71	REVISION
17	1	J. ZAJAC	11/14/71	REVISION
18	1	J. ZAJAC	11/14/71	REVISION
19	1	J. ZAJAC	11/14/71	REVISION
20	1	J. ZAJAC	11/14/71	REVISION
21	1	J. ZAJAC	11/14/71	REVISION
22	1	J. ZAJAC	11/14/71	REVISION
23	1	J. ZAJAC	11/14/71	REVISION
24	1	J. ZAJAC	11/14/71	REVISION
25	1	J. ZAJAC	11/14/71	REVISION
26	1	J. ZAJAC	11/14/71	REVISION
27	1	J. ZAJAC	11/14/71	REVISION
28	1	J. ZAJAC	11/14/71	REVISION
29	1	J. ZAJAC	11/14/71	REVISION
30	1	J. ZAJAC	11/14/71	REVISION
31	1	J. ZAJAC	11/14/71	REVISION
32	1	J. ZAJAC	11/14/71	REVISION
33	1	J. ZAJAC	11/14/71	REVISION
34	1	J. ZAJAC	11/14/71	REVISION
35	1	J. ZAJAC	11/14/71	REVISION
36	1	J. ZAJAC	11/14/71	REVISION
37	1	J. ZAJAC	11/14/71	REVISION
38	1	J. ZAJAC	11/14/71	REVISION
39	1	J. ZAJAC	11/14/71	REVISION
40	1	J. ZAJAC	11/14/71	REVISION
41	1	J. ZAJAC	11/14/71	REVISION
42	1	J. ZAJAC	11/14/71	REVISION
43	1	J. ZAJAC	11/14/71	REVISION
44	1	J. ZAJAC	11/14/71	REVISION
45	1	J. ZAJAC	11/14/71	REVISION
46	1	J. ZAJAC	11/14/71	REVISION
47	1	J. ZAJAC	11/14/71	REVISION
48	1	J. ZAJAC	11/14/71	REVISION
49	1	J. ZAJAC	11/14/71	REVISION
50	1	J. ZAJAC	11/14/71	REVISION
51	1	J. ZAJAC	11/14/71	REVISION
52	1	J. ZAJAC	11/14/71	REVISION
53	1	J. ZAJAC	11/14/71	REVISION
54	1	J. ZAJAC	11/14/71	REVISION
55	1	J. ZAJAC	11/14/71	REVISION
56	1	J. ZAJAC	11/14/71	REVISION
57	1	J. ZAJAC	11/14/71	REVISION
58	1	J. ZAJAC	11/14/71	REVISION
59	1	J. ZAJAC	11/14/71	REVISION
60	1	J. ZAJAC	11/14/71	REVISION
61	1	J. ZAJAC	11/14/71	REVISION
62	1	J. ZAJAC	11/14/71	REVISION
63	1	J. ZAJAC	11/14/71	REVISION
64	1	J. ZAJAC	11/14/71	REVISION
65	1	J. ZAJAC	11/14/71	REVISION
66	1	J. ZAJAC	11/14/71	REVISION
67	1	J. ZAJAC	11/14/71	REVISION
68	1	J. ZAJAC	11/14/71	REVISION
69	1	J. ZAJAC	11/14/71	REVISION
70	1	J. ZAJAC	11/14/71	REVISION
71	1	J. ZAJAC	11/14/71	REVISION
72	1	J. ZAJAC	11/14/71	REVISION
73	1	J. ZAJAC	11/14/71	REVISION
74	1	J. ZAJAC	11/14/71	REVISION
75	1	J. ZAJAC	11/14/71	REVISION
76	1	J. ZAJAC	11/14/71	REVISION
77	1	J. ZAJAC	11/14/71	REVISION
78	1	J. ZAJAC	11/14/71	REVISION
79	1	J. ZAJAC	11/14/71	REVISION
80	1	J. ZAJAC	11/14/71	REVISION
81	1	J. ZAJAC	11/14/71	REVISION
82	1	J. ZAJAC	11/14/71	REVISION
83	1	J. ZAJAC	11/14/71	REVISION
84	1	J. ZAJAC	11/14/71	REVISION
85	1	J. ZAJAC	11/14/71	REVISION
86	1	J. ZAJAC	11/14/71	REVISION
87	1	J. ZAJAC	11/14/71	REVISION
88	1	J. ZAJAC	11/14/71	REVISION
89	1	J. ZAJAC	11/14/71	REVISION
90	1	J. ZAJAC	11/14/71	REVISION
91	1	J. ZAJAC	11/14/71	REVISION
92	1	J. ZAJAC	11/14/71	REVISION
93	1	J. ZAJAC	11/14/71	REVISION
94	1	J. ZAJAC	11/14/71	REVISION
95	1	J. ZAJAC	11/14/71	REVISION
96	1	J. ZAJAC	11/14/71	REVISION
97	1	J. ZAJAC	11/14/71	REVISION
98	1	J. ZAJAC	11/14/71	REVISION
99	1	J. ZAJAC	11/14/71	REVISION
100	1	J. ZAJAC	11/14/71	REVISION

KI:BUS ADDRESS/DATA LOGIC

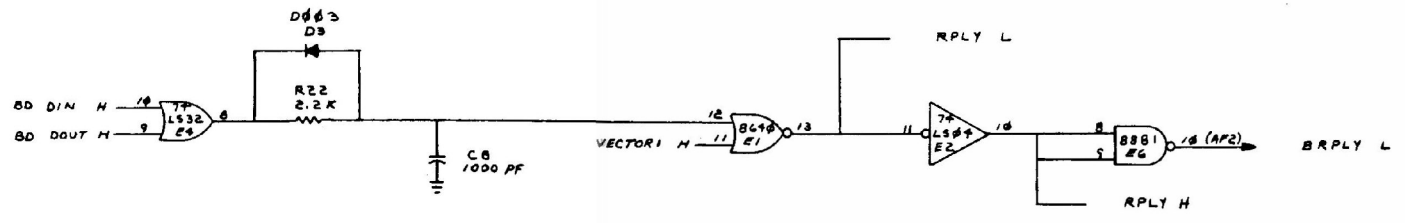
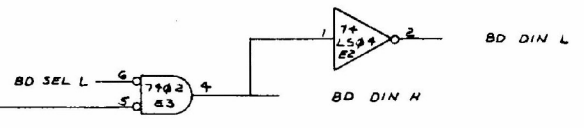
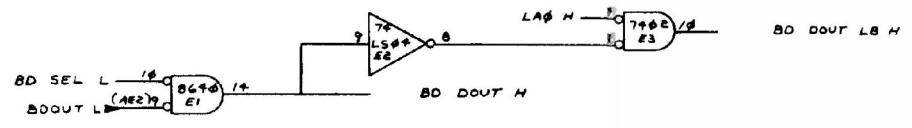
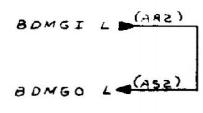
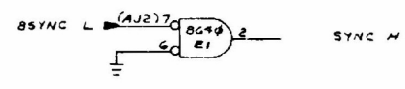
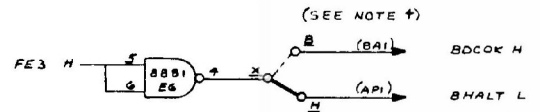
DRN: 30374	FIRST USED ON: DLV11-J	Digital
CHK'D: 30374	TITLE: 4 SERIAL LINE PER. CTRL.	
ENG: 30374	SCALE: NPT-2	
PROD: 30374	SIZE CODE: D	NUMBER: CS:8043-C-1
NEXT HIGHER ASSY:	REV: M	
B-DI-ME043-0	SHEET: 1	OF 7
	DIST:	

THIS DRAWING AND SPECIFICATIONS HEREIN ARE THE PROPERTY OF DIGITAL EQUIPMENT CORPORATION AND SHALL NOT BE REPRODUCED OR COPIED OR USED IN WHOLE OR IN PART AS THE BASIS FOR THE MANUFACTURE OR SALE OF ITEMS WITHOUT WRITTEN PERMISSION. COPYRIGHT © 1970 DIGITAL EQUIPMENT CORPORATION

1-0-ED08W SC02

NOTES:

TO ENABLE HALT ON RECEIVING BREAK, CONNECT A TO H. TO ENABLE BOOT ON RECEIVING BREAK, CONNECT A TO B.

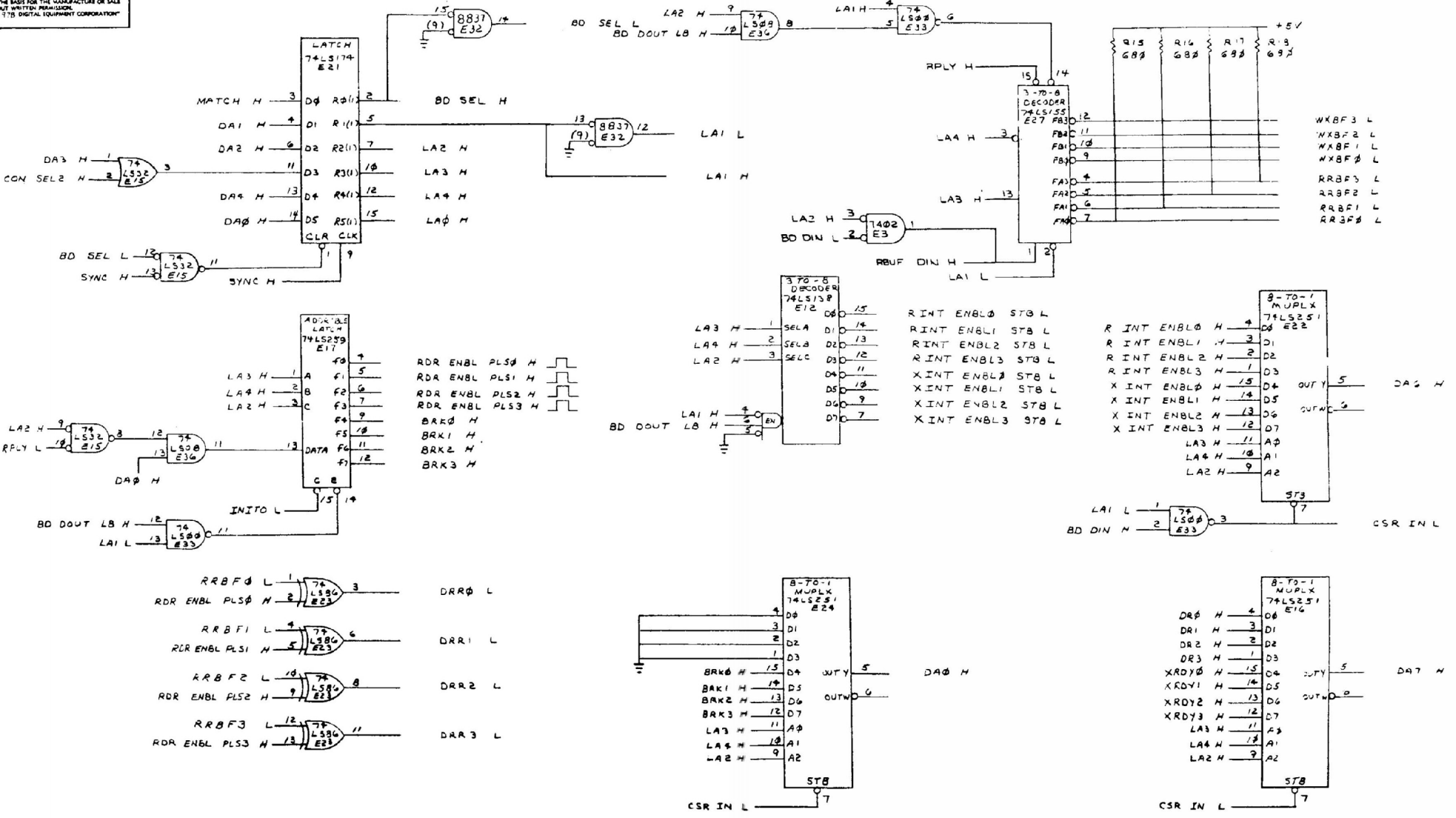


REVISIONS		
CHK	CHANGE NO.	REV.

K2: CONTROL AND HALT/BOOT LOGIC

TITLE	4 SERIAL LINE PER. CTRL.	SIZE	CODE	NUMBER	REV.
SCALE	NONE	SHEET	2	OF	7
DIST.					

THIS DRAWING AND SPECIFICATIONS, HEREIN, ARE THE PROPERTY OF DIGITAL EQUIPMENT CORPORATION AND SHALL NOT BE REPRODUCED OR COPIED OR USED IN WHOLE OR IN PART AS THE BASIS FOR THE MANUFACTURE OR SALE OF ITEMS WITHOUT WRITTEN PERMISSION. COPYRIGHT © 1975 DIGITAL EQUIPMENT CORPORATION



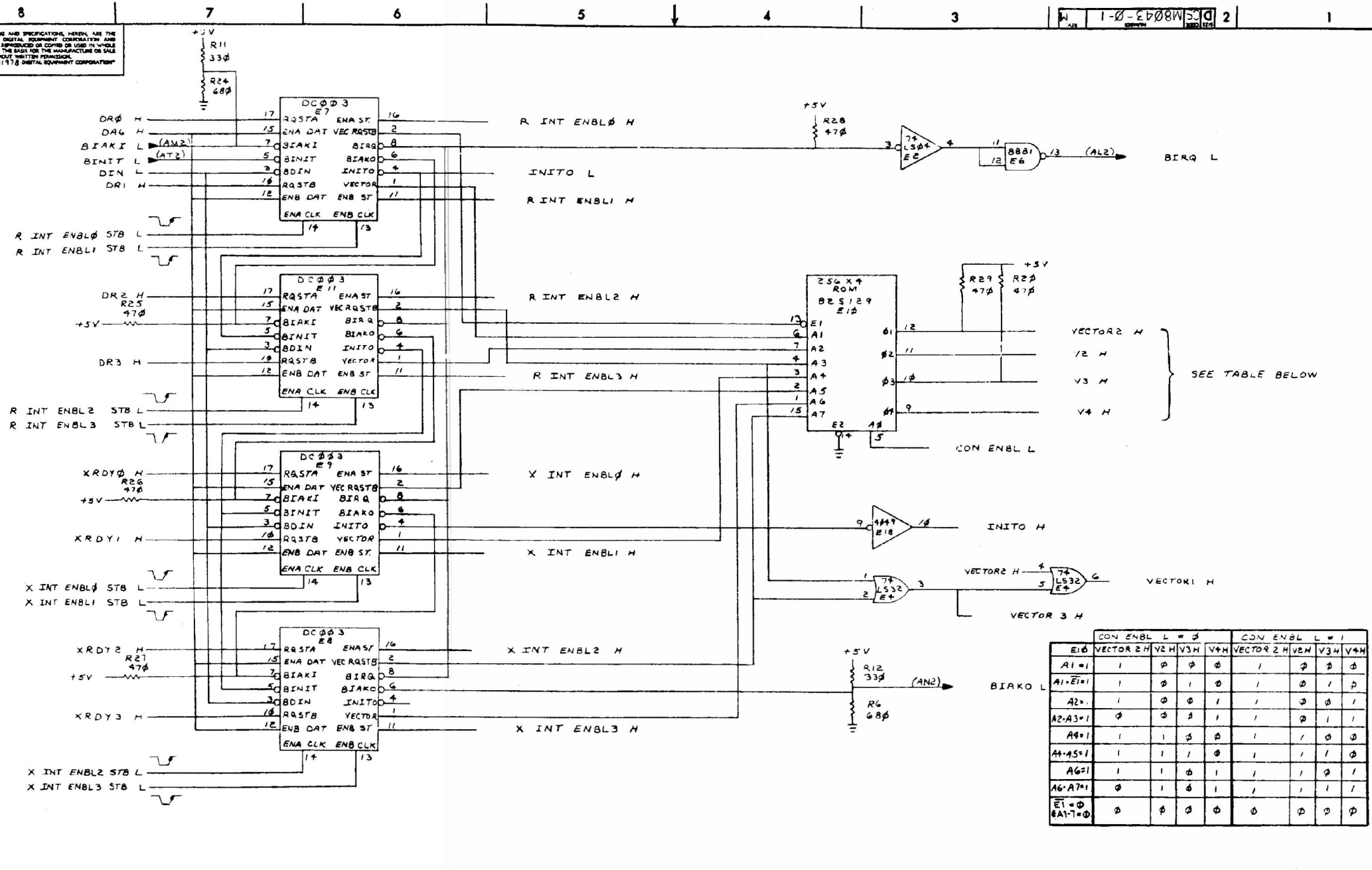
REVISIONS		
CHK	CHANGE NO.	REV.

K3; ADDRESS LATCH AND REGISTER LOGIC

TITLE	4 SERIAL LINE PER. CTRL.	SIZE CODE	DCSM6043-C-1	NUMBER	1	REV.	1
SCALE	NONE	SHEET	3 OF 7	DIST.			

THIS DRAWING AND SPECIFICATIONS, HEREIN, ARE THE PROPERTY OF DIGITAL EQUIPMENT CORPORATION AND SHALL NOT BE REPRODUCED OR COPIED OR USED IN WHOLE OR IN PART AS THE BASIS FOR THE MANUFACTURE OR SALE OF ITEMS WITHOUT WRITTEN PERMISSION. COPYRIGHT © 1978 DIGITAL EQUIPMENT CORPORATION

D
C
B
A



SEE TABLE BELOW

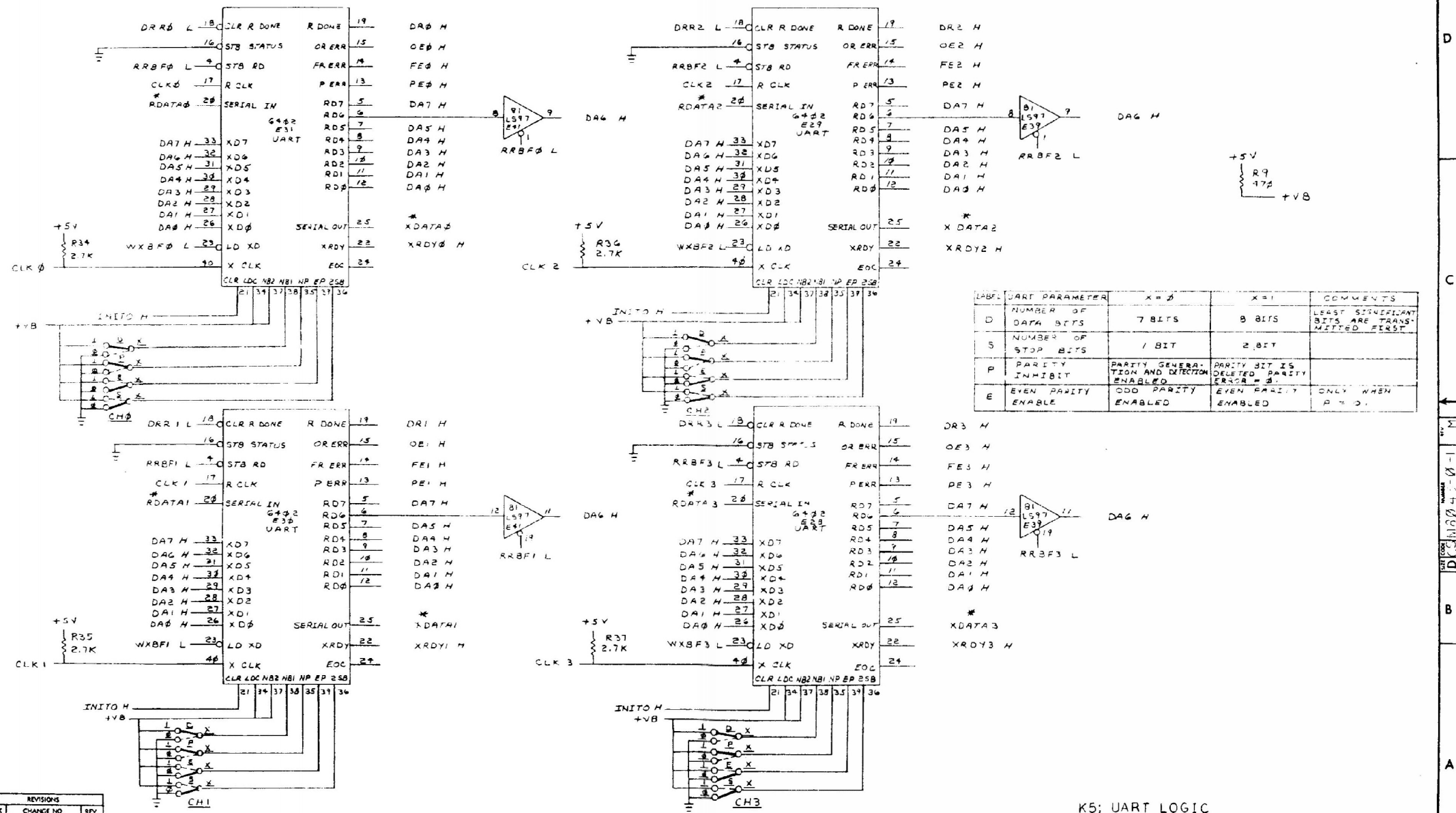
Ei0	CON ENBL L = 0				CON ENBL L = 1			
	VECTOR 2 H	V2H	V3H	V4H	VECTOR 2 H	V2H	V3H	V4H
A1=1	1	0	0	0	1	0	0	0
A1-E1=1	1	0	1	0	1	0	1	0
A2=1	1	0	0	1	1	0	0	1
A2-A3=1	0	0	1	1	1	0	1	1
A4=1	1	1	0	0	1	1	0	0
A4-A5=1	1	1	1	0	1	1	1	0
A6=1	1	1	0	1	1	1	0	1
A6-A7=1	0	1	0	1	1	1	1	1
E1=0	0	0	0	0	0	0	0	0
E1-1=0	0	0	0	0	0	0	0	0

REVISIONS		
CHK	CHANGE NO.	REV.

"THIS DRAWING AND SPECIFICATIONS HEREIN, ARE THE PROPERTY OF DIGITAL EQUIPMENT CORPORATION AND SHALL NOT BE REPRODUCED OR COPIED OR USED IN WHOLE OR IN PART AS THE BASIS FOR THE MANUFACTURE OR SALE OF ITEMS WITHOUT WRITTEN PERMISSION.
COPYRIGHT © 1978, DIGITAL EQUIPMENT CORPORATION"

1-0-2008W5D 2

NOTES:
* 5. YHIGH = MARK = 1
YLOW = SPACE = 0



LABE	UART PARAMETER	X = 0	X = 1	COMMENTS
D	NUMBER OF DATA BITS	7 BITS	8 BITS	LEAST SIGNIFICANT BITS ARE TRANSMITTED FIRST
S	NUMBER OF STOP BITS	1 BIT	2 BIT	
P	PARITY INHIBIT	PARITY GENERATION AND DETECTION ENABLED	PARITY BIT IS Omitted PARITY ERROR = 0	
E	EVEN PARITY ENABLE	ODD PARITY ENABLED	EVEN PARITY ENABLED	ONLY WHEN P = 0.

REVISIONS	
CHK	CHANGE NO. REV

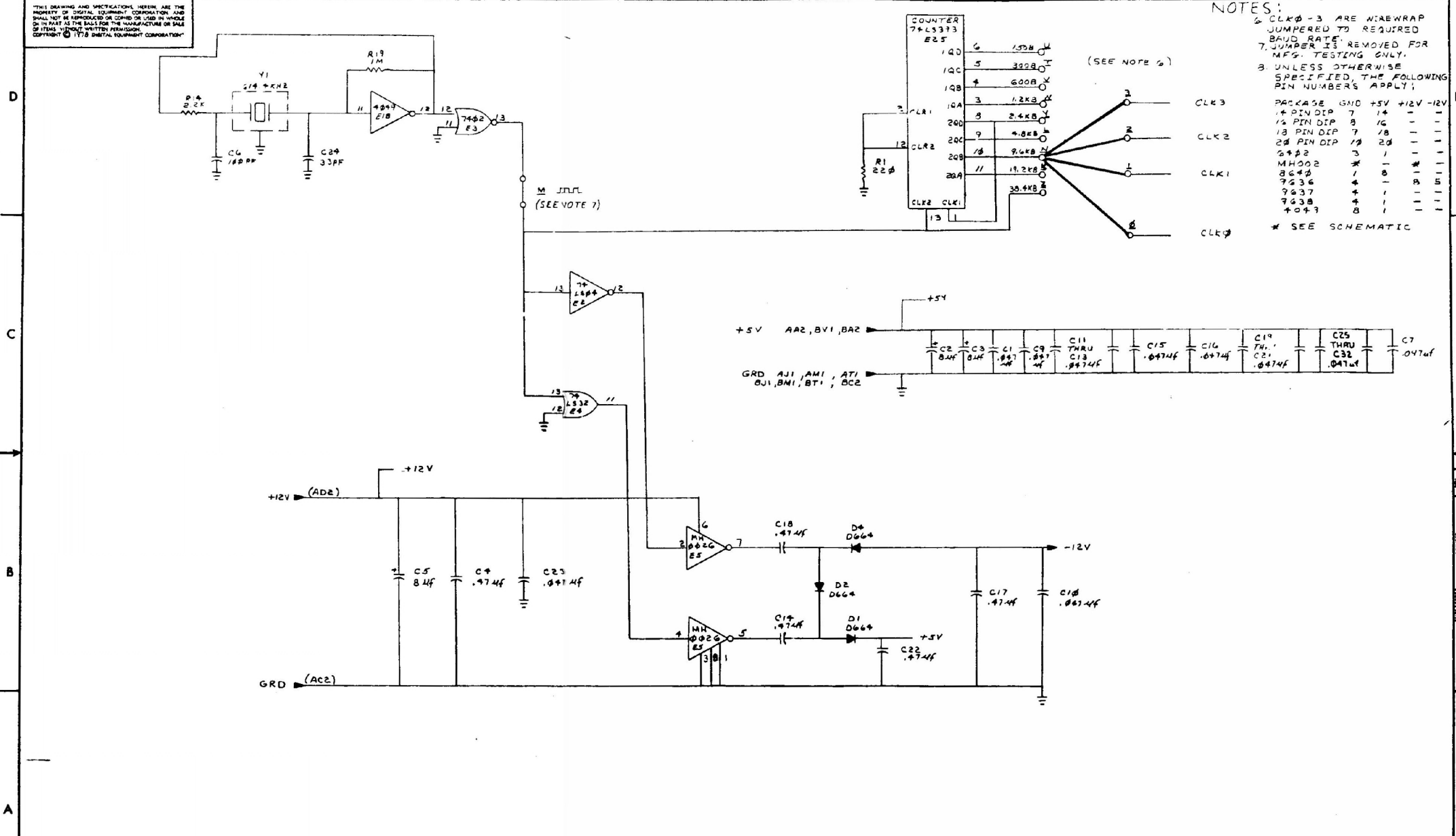
K5; UART LOGIC		TITLE	4 SERIAL LINE PER. CTRL.	SIZE CODE	NUMBER	REV.
					DCS M8043-0-1	
		SCALE	NONE	SHEET	5 OF 7	DIST.

THIS DRAWING AND SPECIFICATIONS HEREIN ARE THE PROPERTY OF DIGITAL EQUIPMENT CORPORATION AND SHALL NOT BE REPRODUCED OR COPIED OR USED IN WHOLE OR IN PART AS THE BASIS FOR THE MANUFACTURE OR SALE OF ITEMS WITHOUT WRITTEN PERMISSION. COPYRIGHT © 1978 DIGITAL EQUIPMENT CORPORATION

NOTES:
 1. CLKΦ-3 ARE NIAREWRAP JUMPERED TO REQUIRED BAUD RATE.
 2. JUMPER J5 IS REMOVED FOR MFG. TESTING ONLY.
 3. UNLESS OTHERWISE SPECIFIED, THE FOLLOWING PIN NUMBERS APPLY:

PACKAGE	GND	+5V	+12V	-12V
14 PIN DIP	7	14	-	-
16 PIN DIP	8	16	-	-
18 PIN DIP	7	18	-	-
20 PIN DIP	10	20	-	-
24 PIN DIP	3	1	-	-
MH002	*	1	*	*
8640	1	8	-	-
9636	4	-	B	5
9637	4	1	-	-
9638	4	1	-	-
+043	8	1	-	-

* SEE SCHEMATIC



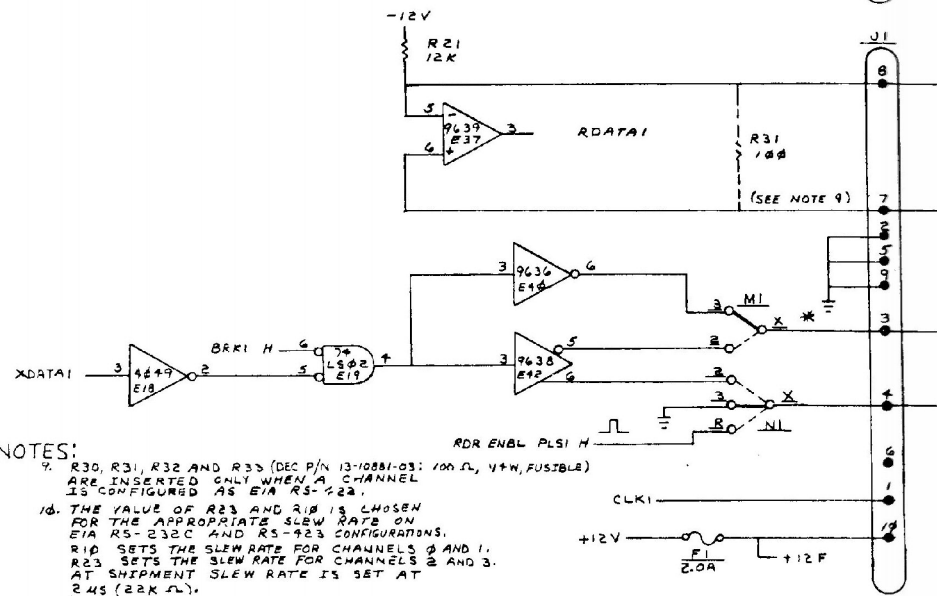
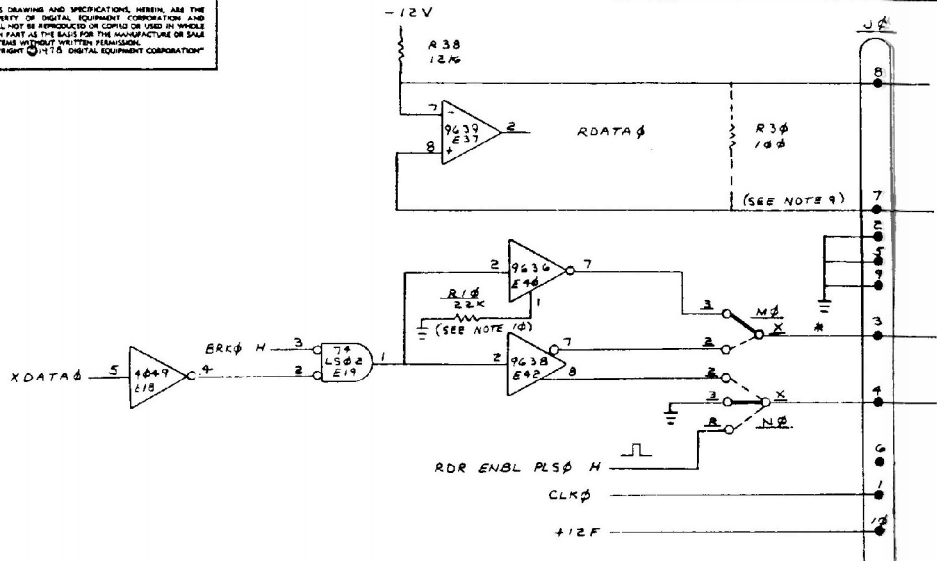
REVISIONS		
CHK	CHANGE NO.	REV.

K6: PWR DIST, BAUD RATE GEN & -12V CIRCUITRY

TITLE	SIZE/DOCS	NUMBER	REV.
4 SERIAL LINE PER. CTRL.	DCS	M8043-0-1	M
SCALE NONE	SHEET 6 OF 7	DIST.	

"THIS DRAWING AND SPECIFICATIONS, HEREIN, ARE THE PROPERTY OF DIGITAL EQUIPMENT CORPORATION AND SHALL NOT BE REPRODUCED OR COPIED OR USED IN WHOLE OR IN PART AS THE BASIS FOR THE MANUFACTURE OR SALE OF ITEMS WITHOUT WRITTEN PERMISSION. COPYRIGHT © 1975 DIGITAL EQUIPMENT CORPORATION"

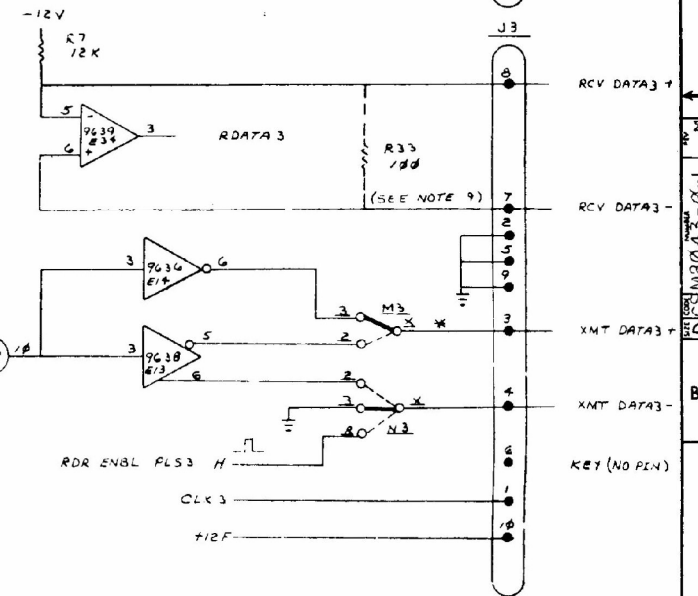
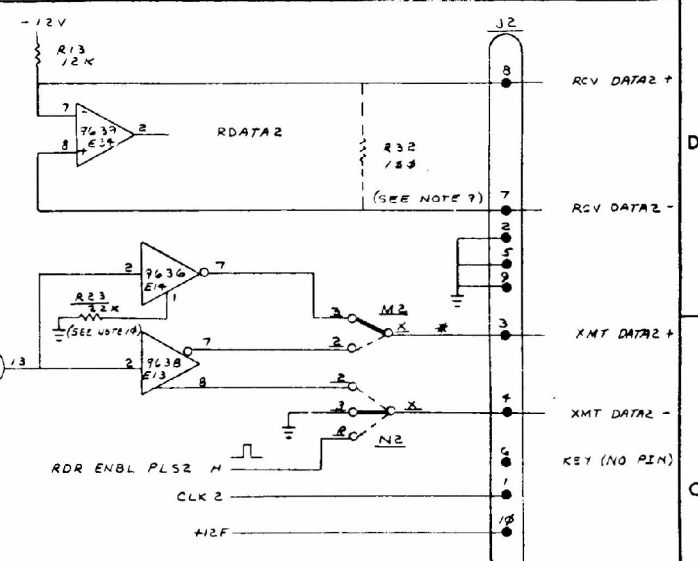
W 1-0-2508WS 2



NOTES:
 7. R30, R31, R32 AND R33 (DEC P/N 13-10881-03: 100 Ohm, 1/4W, FUSIBLE) ARE INSERTED ONLY WHEN A CHANNEL IS CONFIGURED AS EIA RS-232C.
 10. THE VALUE OF R23 AND R10 IS CHOSEN FOR THE APPROPRIATE SLEW RATE ON EIA RS-232C AND RS-423 CONFIGURATIONS. R10 SETS THE SLEW RATE FOR CHANNELS 0 AND 1. R23 SETS THE SLEW RATE FOR CHANNELS 2 AND 3. AT SHIPMENT SLEW RATE IS SET AT 245 (22K Ohm).
 * 11. V LOW = MARK = 1
 V HIGH = SPACE = 0

RCV DATA 0 +
 RCV DATA 0 -
 XMT DATA 0 +
 XMT DATA 0 -
 KEY (NO PIN)

RCV DATA 1 +
 RCV DATA 1 -
 XMT DATA 1 +
 XMT DATA 1 -
 KEY (NO PIN)



RCV DATA 2 +
 RCV DATA 2 -
 XMT DATA 2 +
 XMT DATA 2 -
 KEY (NO PIN)

RCV DATA 3 +
 RCV DATA 3 -
 XMT DATA 3 +
 XMT DATA 3 -
 KEY (NO PIN)

REVISIONS		
CHK	CHANGE NO.	REV

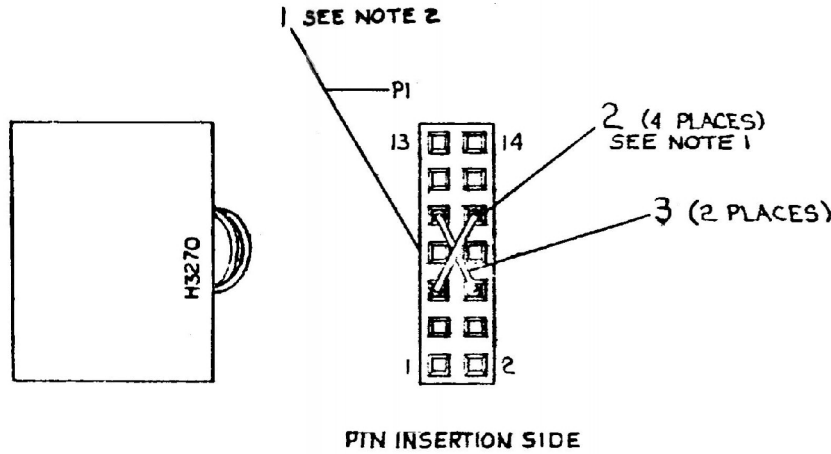
TITLE		K7: LINE INPUT/OUTPUT LOGIC	
SERIAL LINE PER. CTRL.		SIZE CODE	NUMBER
DICS M8043-0-1			
SCALE	ACNS	SHEET 7 OF 7	DIST. 1

"THIS DRAWING AND SPECIFICATIONS HEREIN ARE THE PROPERTY OF DIGITAL EQUIPMENT CORPORATION AND SHALL NOT BE REPRODUCED OR COPIED OR USED IN WHOLE OR IN PART AS THE BASIS FOR THE MANUFACTURE OR SALE OF ITEMS WITHOUT WRITTEN PERMISSION. COPYRIGHT © 1974, DIGITAL EQUIPMENT CORPORATION"

WIRE TABLE							
ITEM NO.	DESCRIPTION		FROM		TO		WIRE LENGTH
	AWG	COLOR	CONNECTION	WITH	CONNECTION	WITH	
3	22	YEL	PI-5	2	PI-10	2	2"
3	22	YEL	PI-6	2	PI-9	2	2"

NOTES:

- 12-10089-06 MAY BE SUBSTITUTED FOR ITEM #2.
- MARK H3270 WITH WHITE INK USING .125 CHARACTER SIZE WITH LETTERS FACING UP.



CAUTION: OFFSHEET PARTS LIST EXISTS. REFER TO K-PL-H3270-0-0-DBP

DESCRIPTION	DWG. PART NO.	ITEM NO.
1 LABEL CABLE	9009532	1
4 WIRE 22AWG 5 STRANDED YEL	9107350-04	3
4 CONN. SKT CRIMP	1210089-07	2
1 TERMINATOR HSG 14 POS	1210913-30	1

UNLESS OTHERWISE SPECIFIED DIMENSIONS ARE IN INCHES	ANGLES		CLASS OF ACCURACY							
	10°	30°	SURFACE QUALITY		MICROFINISH					
			FINISH	PREPARED	1.008	1.008	1.012	1.016	1.024	1.04
				PREFERRED	1.012	1.016	1.025	1.04	1.08	1.12

THIRD ANGLE PROJECTION	DATE: 12/11/74	FIRST USED ON: DLVII-J
REMOVE BURRS AND BREAK SHARP CORNERS	ENG: [Signature]	TITLE: CONNECTOR, TEST
DO NOT SCALE DWG	PROJ. ENG. [Signature]	SIZE: C
MATERIAL: SEE PARTS LIST	PROC: [Signature]	CODE: UA
FINISH: NONE	SCALE: 4/1	NUMBER: H3270-0-0
	SHEET 1 OF 1	REV. A

REV.	DESCRIPTION	DATE
A	Initial release	

C. GIROUARD
C. Girouard 1/2/75

H3270-0-0