

ILLUSTRATED PARTS CATALOG

This chapter provides illustrated parts breakdown and a reference for spare parts for the COMPAQ DESKPRO 386N and COMPAQ DESKPRO 286N Personal Computers.

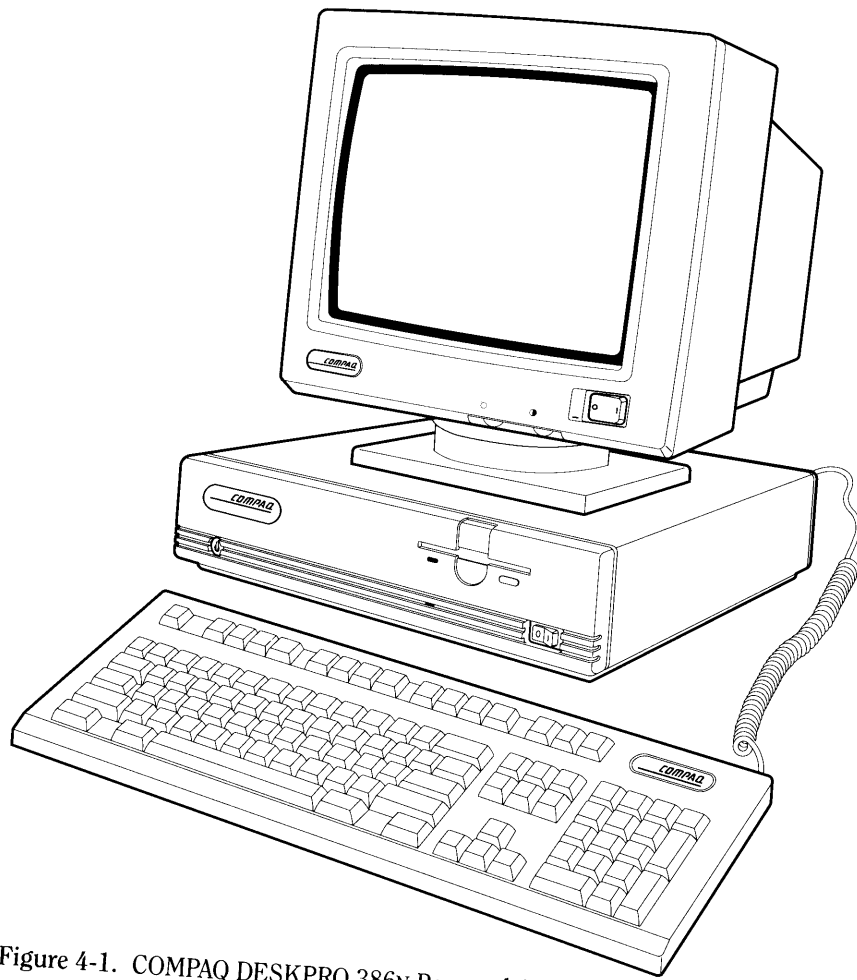


Figure 4-1. COMPAQ DESKPRO 386N Personal Computer

4.1 SYSTEM UNIT

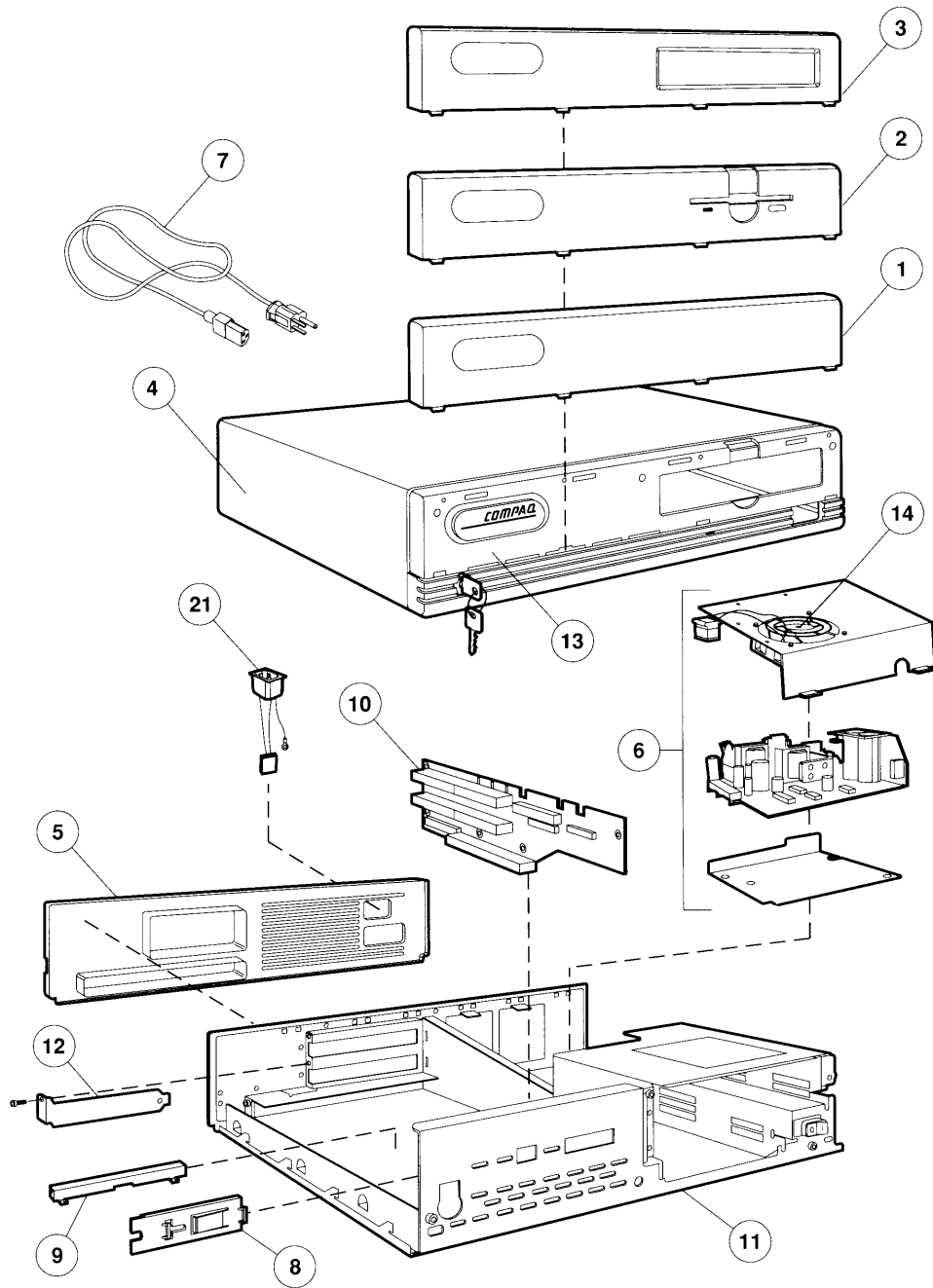


Figure 4-2. System Unit

4.2 MASS STORAGE DEVICES

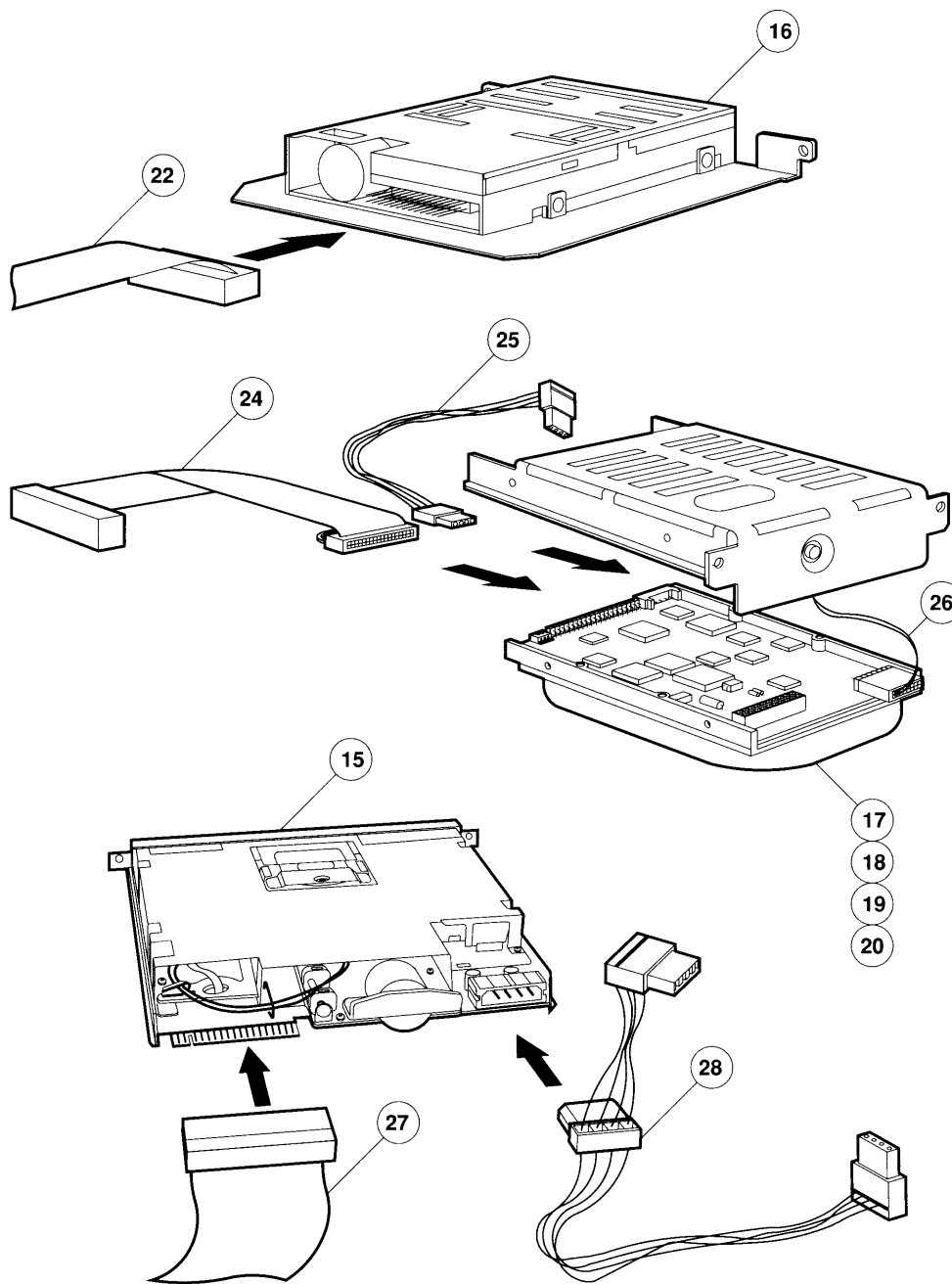


Figure 4-3. Mass Storage Devices

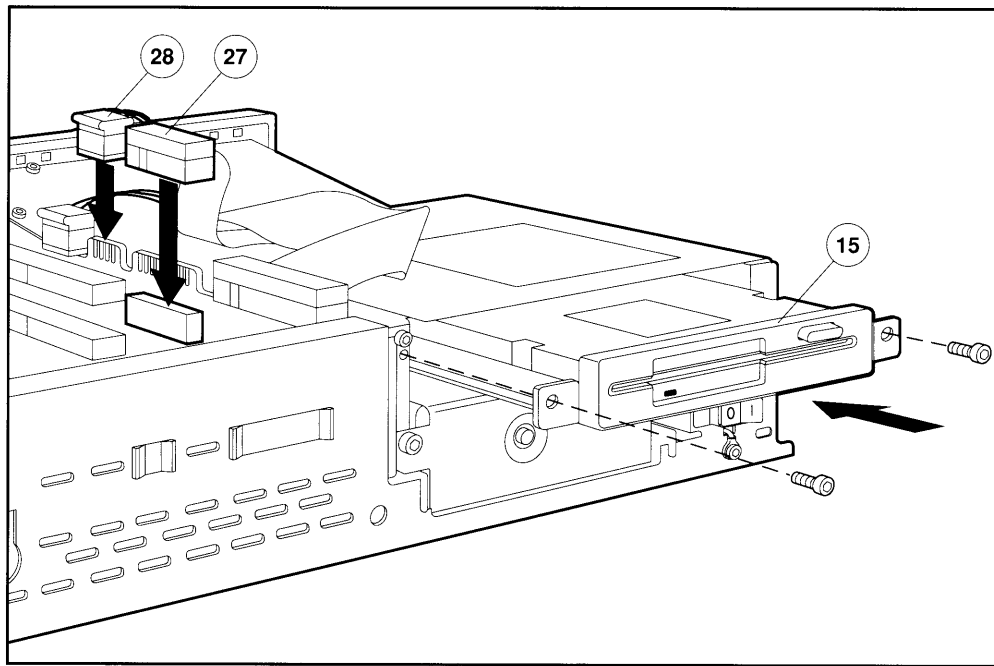


Figure 4-4. 1.2-Megabyte Diskette Drive

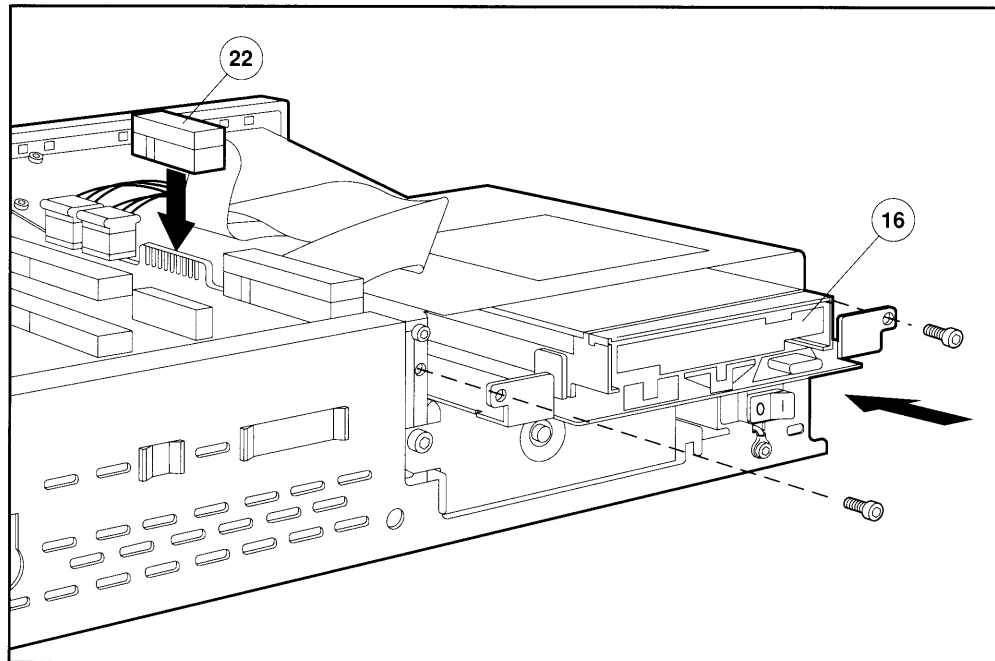


Figure 4-5. 1.44-Megabyte Diskette Drive

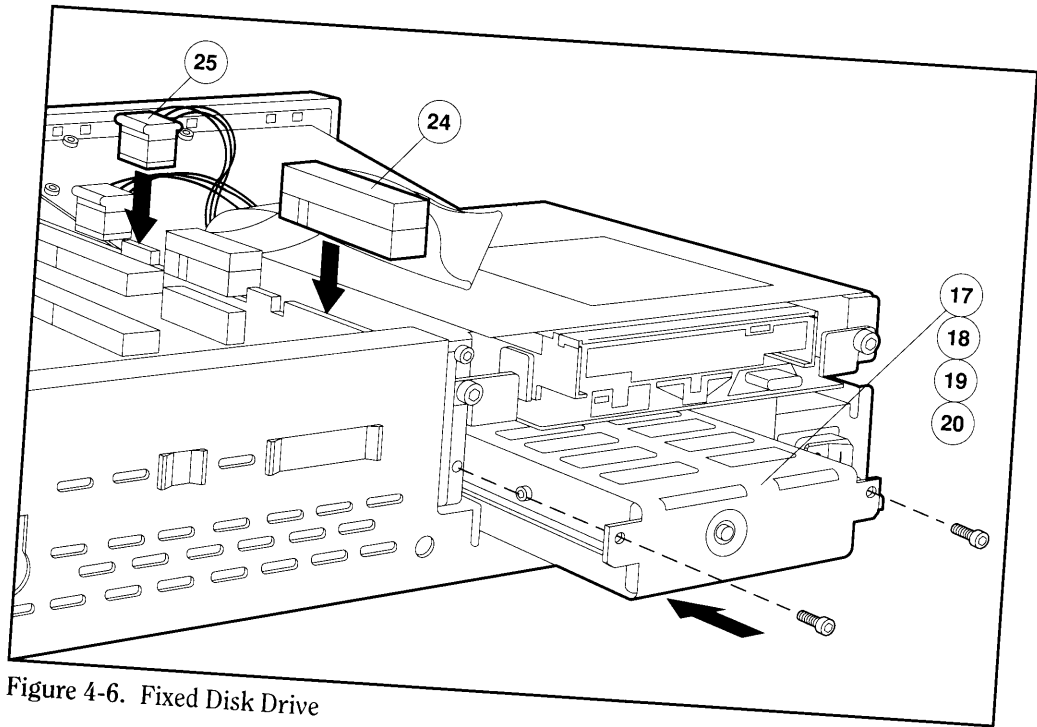


Figure 4-6. Fixed Disk Drive

4.3 STANDARD AND OPTIONAL BOARDS

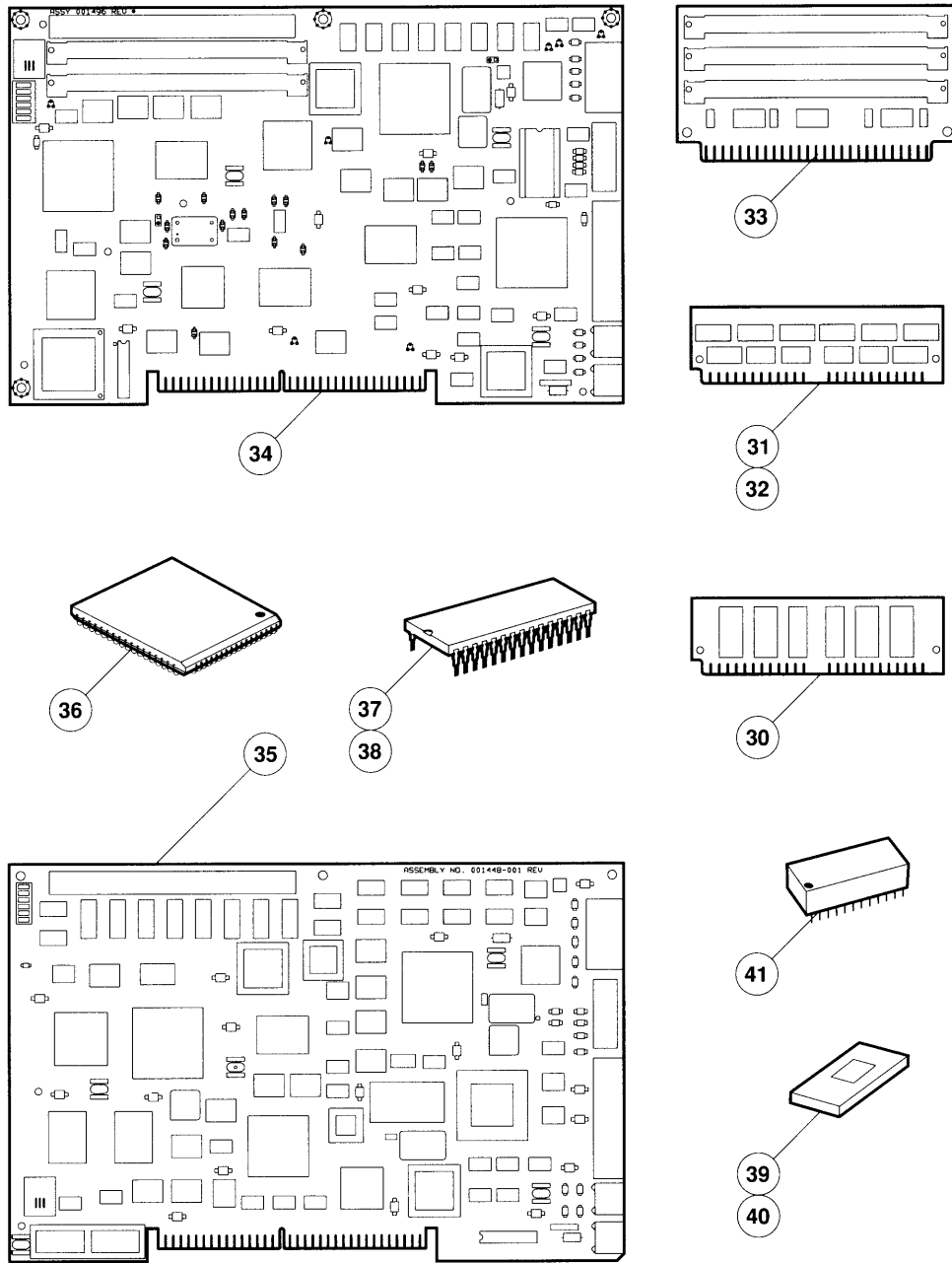


Figure 4-7. Standard and Optional Boards

4.4 PART NUMBERS

**Table 4-1
Spare Parts List**

Description	Part Number
1. Front Bezel, Model 0	118746-001
2. Front Bezel, 1.44-Megabyte Diskette Drive	118747-001
3. Front Bezel, 1.2-Megabyte Diskette Drive	118748-001
4. System Unit Cover	118744-001
5. Rear Bezel	118745-001
6. Power Supply with Insulator	118743-001
7. AC Power Cord	113720-001
8. Expansion Board Guide Assembly	113932-001
9. System Board Guide Assembly	113933-001
10. Backplane Assembly	118742-001
11. Chassis	118750-001
12. Option Slot Cover	101144-001
13. Bezel with Security Lock and Keys	118752-001
14. Fan Assembly	118751-001
15. 1.2-Megabyte Diskette Drive	112566-001
16. 1.44-Megabyte Diskette Drive	113958-001
17. 120-Megabyte Fixed Disk Drive	113962-001
18. 60-Megabyte Fixed Disk Drive	113961-001
19. 40-Megabyte Fixed Disk Drive	113960-001
20. 20-Megabyte Fixed Disk Drive	113959-001
21. AC Plug to PCB Cable	113936-001
22. Diskette Drive Signal/Power Cable	113930-001
23. Cable, Power Supply to Switch and Switch Assembly	113935-001*
24. Fixed Disk Drive Signal Cable	113928-001
25. Fixed Disk Drive Power Cable	113927-001
26. Fixed Disk Drive Indicator LED Cable	113943-001
27. Diskette Drive Signal Cable (1.2 diskette drive)	113938-001
28. Diskette Drive Power Cable (dual drive, 1.2 diskette drive)	113939-001
29. Serial Interface Diagnostic Cable	118773-001*
30. 1-Megabyte Memory Module	113911-001
31. 2-Megabyte Memory Module	113923-001
32. 4-Megabyte Memory Module	118741-001
33. Memory Expansion Board	118739-001
34. COMPAQ DESKPRO 386N System Board	113922-001

* Not shown

Continued

Table 4-1 *Continued*

Description	Part Number
35. COMPAQ DESKPRO 286N System Board	118738-001
36. 16-MHz 386SX Coprocessor, COMPAQ DESKPRO 386N	112514-001
37. 12-MHz C287 Coprocessor, COMPAQ DESKPRO 286N	110541-001
38. 8-MHz 287 Coprocessor, COMPAQ DESKPRO 286N	106558-001
39. System ROM, COMPAQ DESKPRO 386N	118775-001
40. System ROM, COMPAQ DESKPRO 286N	118756-001
41. Battery/Clock Module	107872-001
42. 2400-Baud Internal Modem (U.S. and Canada only)	112693-001*
43. Serial/Parallel Interface Board	106886-001*
44. Keyboard Assembly, U.S./Canada	112573-001*
45. Keyboard Assembly, United Kingdom	112574-001*
46. Keyboard Assembly, Germany	112575-001*
47. Keyboard Assembly, France	112576-001*
48. Keyboard Assembly, Italy	112577-001*
49. Keyboard Assembly, Spain	112578-001*
50. Keyboard Assembly, Denmark	112579-001*
51. Keyboard Assembly, Norway	112580-001*
52. Keyboard Assembly, Sweden/Finland	112581-001*
53. Keyboard Assembly, Switzerland	112582-001*
54. Keyboard Assembly, Portugal	117491-001*
55. Keyboard Assembly, Turkey	117492-001*
56. Keyboard Assembly, Greece	117493-001*
57. Keyboard Assembly, French Canadian	114562-001*
58. Enhanced II Keyboard Cable	112431-001*
59. Video Graphics Color Monitor Assembly	109255-001*
60. Video Graphics Monochrome Monitor Assembly	119250-001*
61. Torx Screws ($\frac{6}{32}$ x $\frac{3}{8}$ -inch) (50)	106712-001*
62. Torx Screws ($\frac{6}{32}$ x $\frac{1}{4}$ -inch) (50)	119548-001*
63. Push Fasteners (50)	118754-001*
64. Feet (20)	113931-001*
65. Ground System Board Clip (50)	118755-001*
66. Logo for COMPAQ DESKPRO 386N System Unit (5)	113924-001*
67. Logo for COMPAQ DESKPRO 286N System Unit (5)	118749-001*
68. Shipping Box, COMPAQ DESKPRO 386N	113925-001*
69. Shipping Box, COMPAQ DESKPRO 286N	113937-001*
70. Bun Assembly for shipping box	118753-001*
71. Coprocessor Removal Tool	119186-001*
*Not shown	

Continued

Table 4-1 *Continued*

Description	Part Number
72. Service Aids Kit	100767-001*
73. Maintenance and Service Guide, System Unit, COMPAQ DESKPRO 386N and COMPAQ DESKPRO 286N Personal Computers	113942-001*
74. Maintenance and Service Guide, Options and Peripherals.	120577-001*
75. Support Software Maintenance and Service Guide	120576-001*
76. Operations Guide, COMPAQ DESKPRO 386N and COMPAQ DESKPRO 286N Personal Computers (Model 0)	113946-001*
77. Operations Guide, COMPAQ DESKPRO 386N and COMPAQ DESKPRO 286N Personal Computers	118774-001*
78. COMPAQ Service Quick Reference Guide	106854-001*
79. MS-DOS® Version 4 Reference Guide	114495-001*
80. MS-DOS® Version 3.31 Reference Guide, 5 ¹ / ₄ -inch diskette	109162-002*
81. MS-DOS® Version 3.31 Reference Guide, 3 ¹ / ₂ -inch diskette	109708-001*
82. COMPAQ DIAGNOSTICS 5 ¹ / ₄ -inch diskette (1.2-Megabyte)	130645-001*
83. COMPAQ DIAGNOSTICS 3 ¹ / ₂ -inch diskette	109728-001*
84. COMPAQ USER PROGRAMS/USER DIAGNOSTICS 5 ¹ / ₄ -inch diskette and User Programs Reference Guide	130644-001*
85. COMPAQ USER PROGRAMS/USER DIAGNOSTICS 3 ¹ / ₂ -inch diskette and User Programs Reference Guide	109725-001*

*Not shown

Chapter 4
ILLUSTRATED PARTS CATALOG

REMOVAL AND REPLACEMENT PROCEDURES

This chapter provides component-level removal and replacement procedures for the COMPAQ DESKPRO 386N and COMPAQ DESKPRO 286N Personal Computers.

After completing all necessary removal and replacement procedures, run the DIAGNOSTICS program to verify that all components operate properly.

To service the COMPAQ DESKPRO 386N and COMPAQ DESKPRO 286N Personal Computers, you need the following:

- * Torx T-15 screwdriver
- * Flat-bladed screwdriver
- * Needle-nosed pliers
- * Side cutters
- * Coprocessor removal tool
- * ROM removal tool
- * 25-pin printer loopback plug
- * 9-pin serial loopback plug
- * Modem terminating plug
- * DIAGNOSTICS software
- * Formatted scratch diskettes

5.1 PREPARATION PROCEDURES

Before beginning the removal and replacement procedures, complete the following steps:

1. Turn off the computer and any peripheral devices.



CAUTION: The system unit power should be off before you connect or disconnect any cables.

2. Disconnect the AC power cord from the AC outlet, then from the system unit.
3. Disconnect all peripheral devices from the computer.

5.2 SYSTEM UNIT COVER

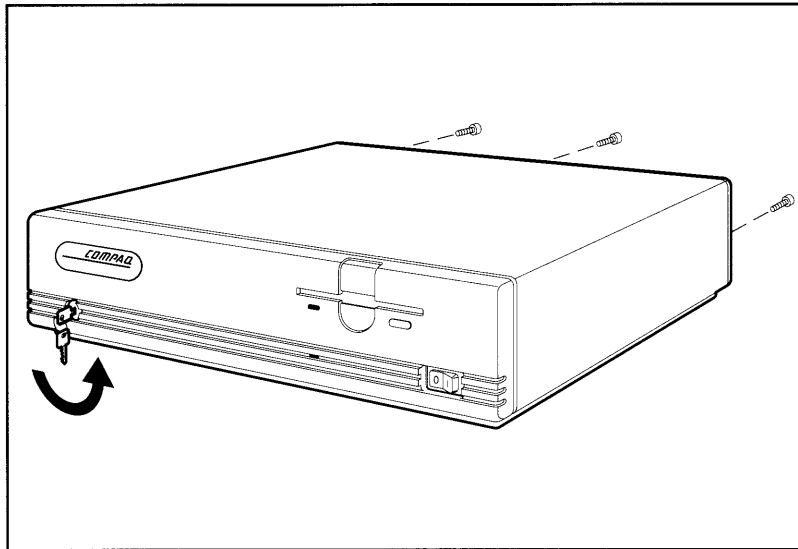


Figure 5-1. Unlocking the Security Lock and Loosening the Screws

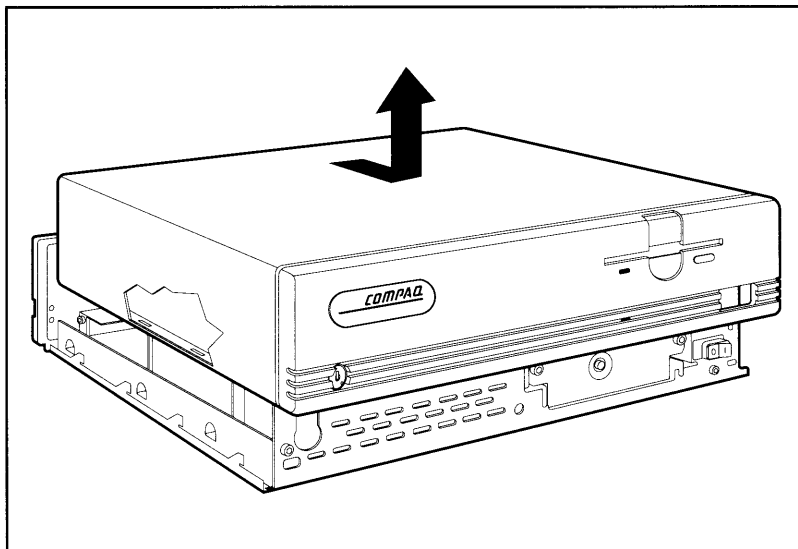


Figure 5-2. Removing the System Unit Cover

5.3 POWER SUPPLY

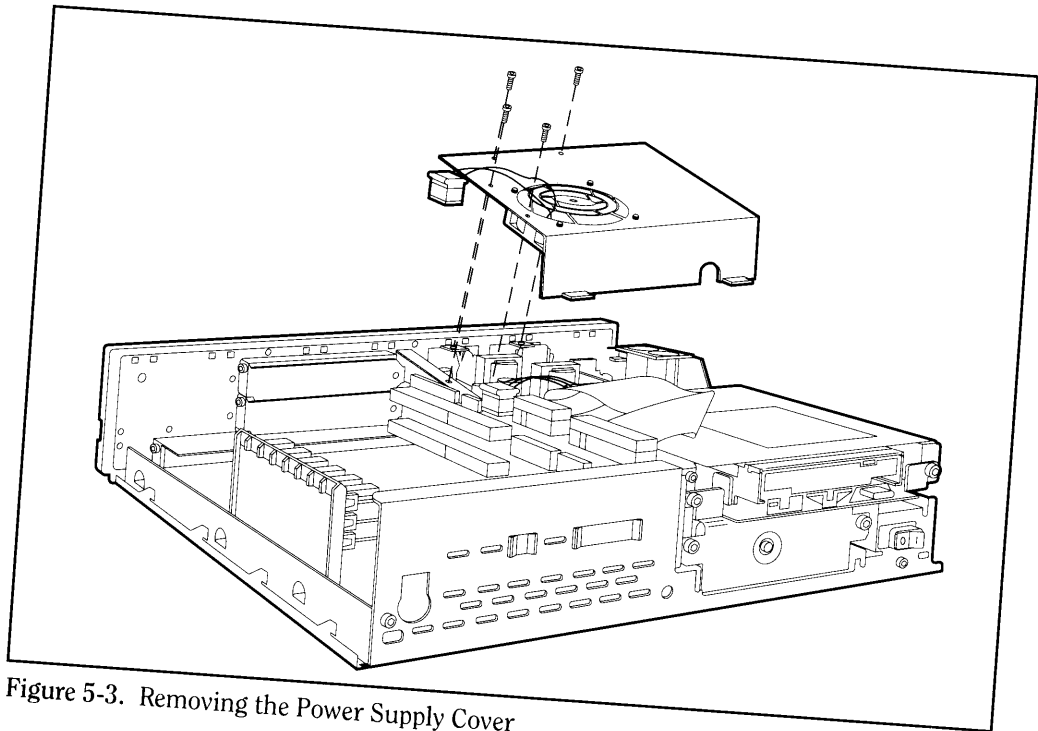


Figure 5-3. Removing the Power Supply Cover

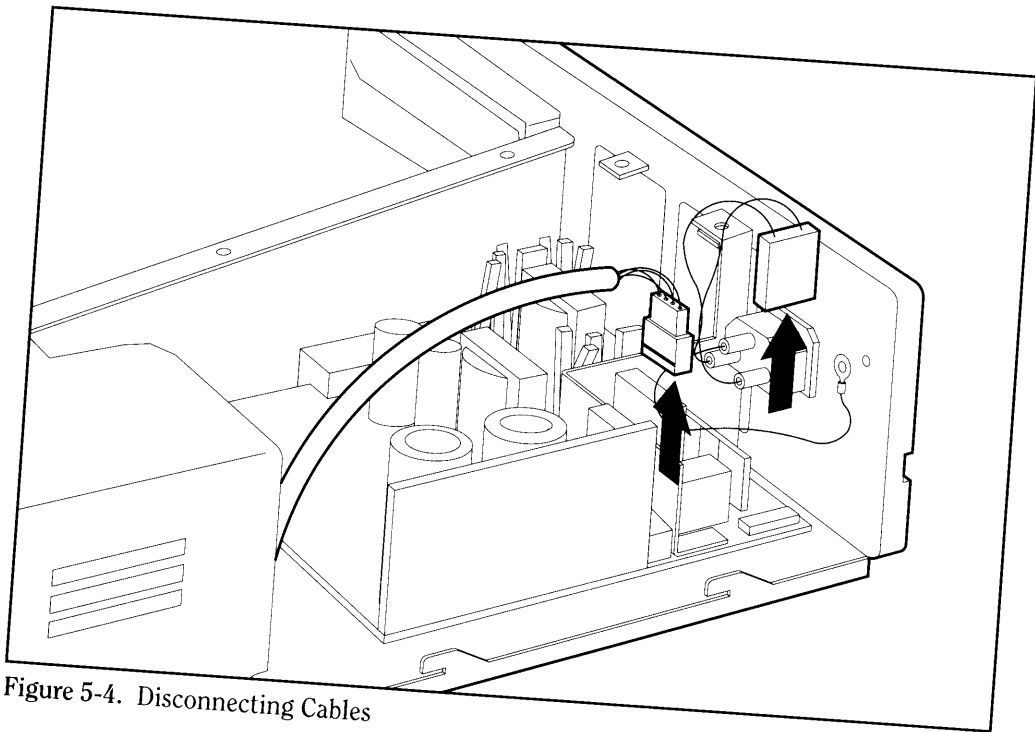


Figure 5-4. Disconnecting Cables

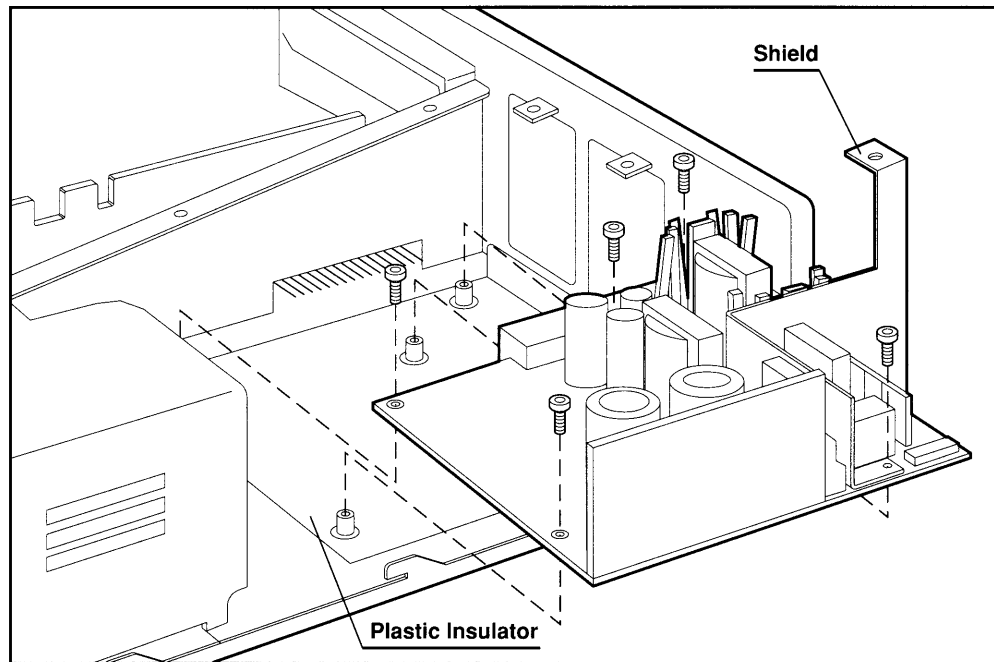


Figure 5-5. Removing the Power Supply



CAUTION: When replacing the power supply, BE SURE that the plastic insulator and the shield are in place.



IMPORTANT: When replacing the power supply cover, align the groove in the cover over the ON/OFF switch cable. Insert the cover tabs into the slots and snap the cover in place.

5.4 MASS STORAGE DEVICES

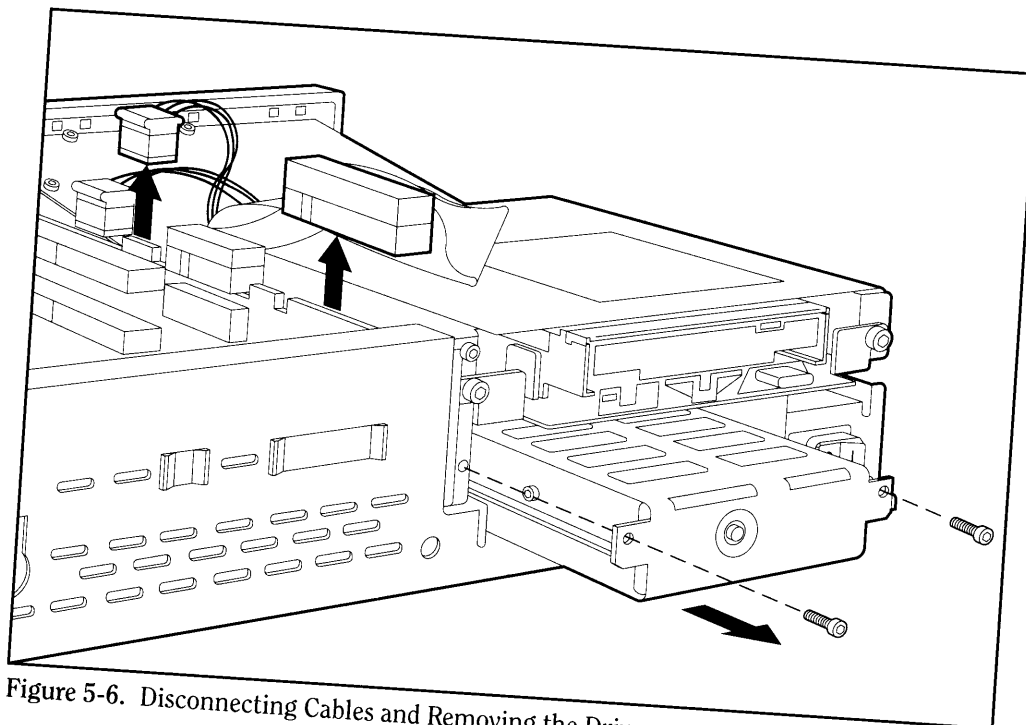


Figure 5-6. Disconnecting Cables and Removing the Drive

5.5 BOARDS

Memory Expansion Board

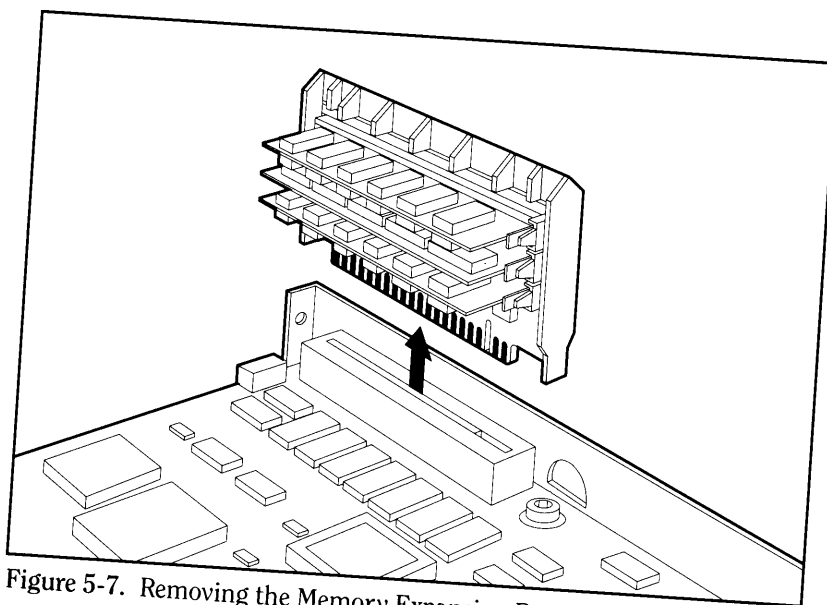


Figure 5-7. Removing the Memory Expansion Board

Expansion Boards

Remove the memory expansion board.

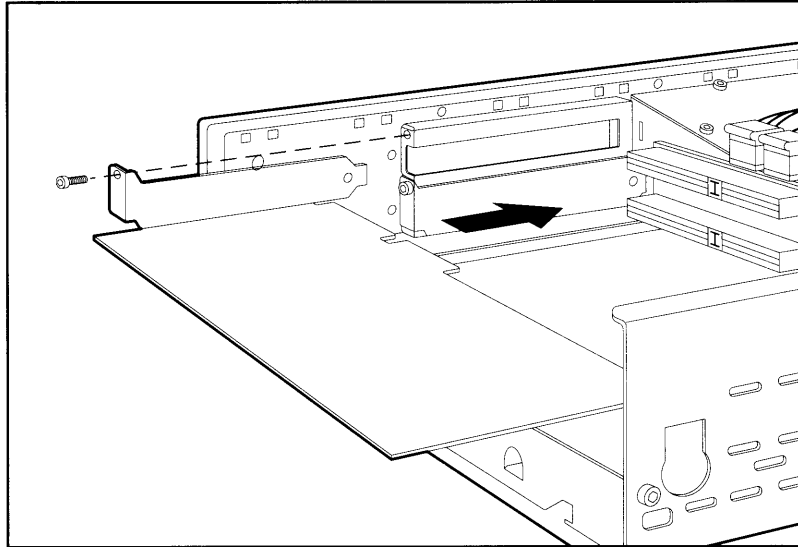


Figure 5-8. Removing an Expansion Board

System Board

1. Remove all expansion boards.
2. Remove the memory expansion board.

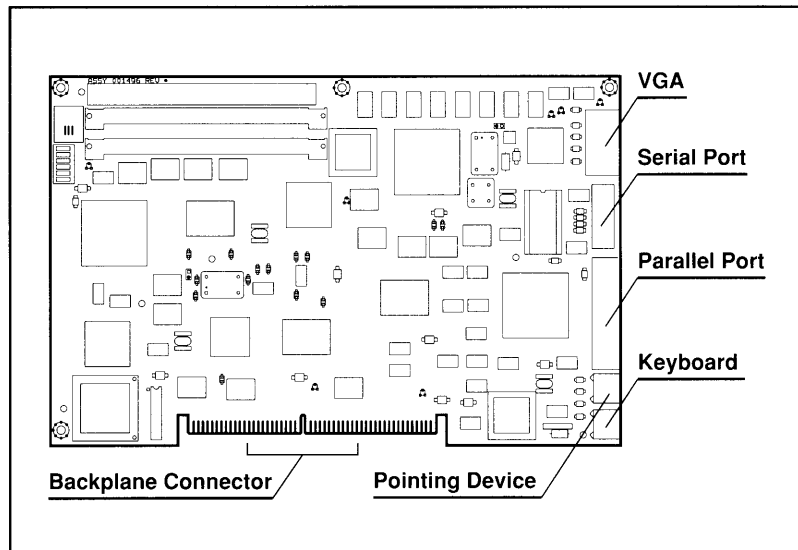


Figure 5-9. System Board Cable Connector Locations

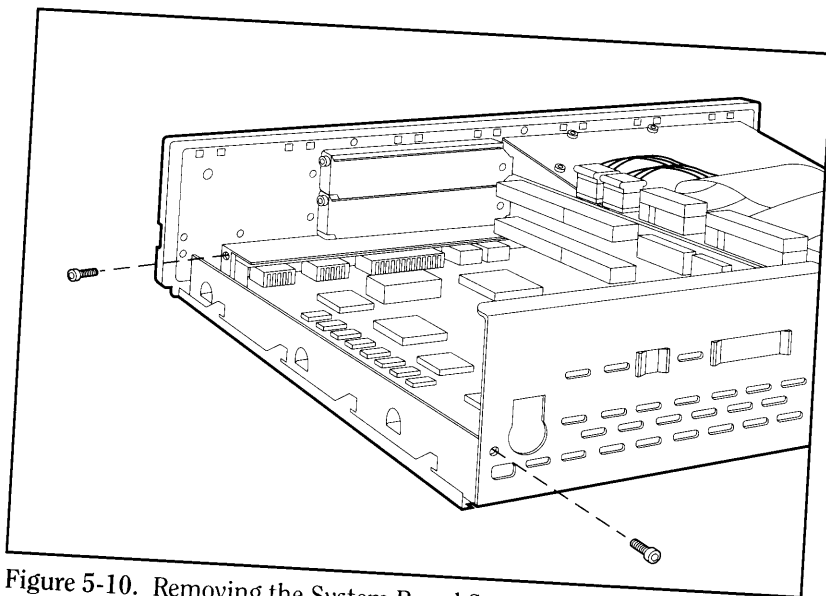


Figure 5-10. Removing the System Board Screws

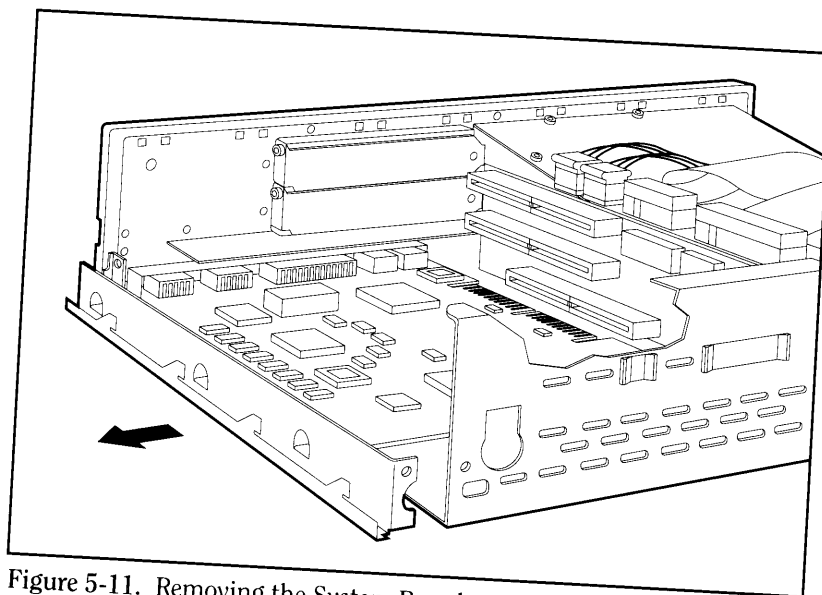


Figure 5-11. Removing the System Board



CAUTION: MAKE SURE the grounding clips are in place before installing the system board.

Backplane

1. Disconnect all cables from the backplane.
2. Remove all expansion boards.
3. Remove the system board.

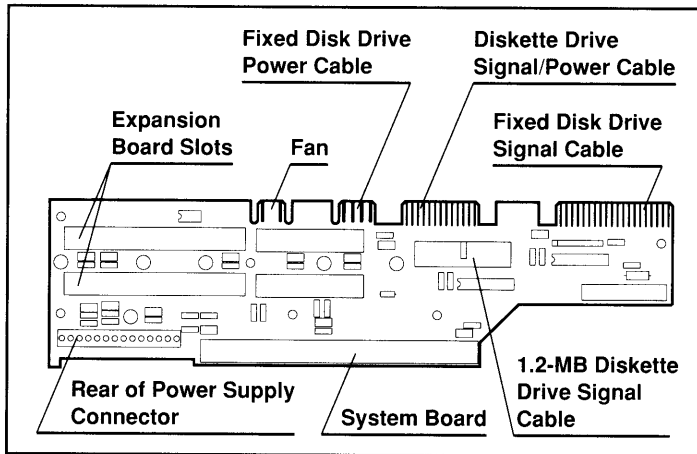


Figure 5-12. Backplane Cable Connector Locations

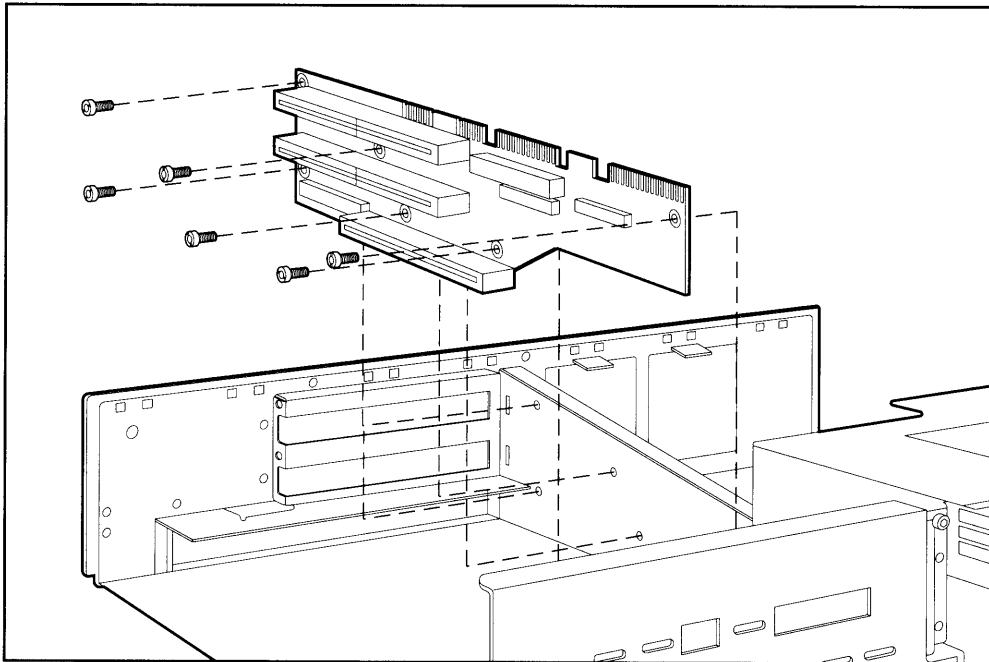


Figure 5-13. Removing the Backplane

Memory Modules

From a COMPAQ DESKPRO 386N System Board

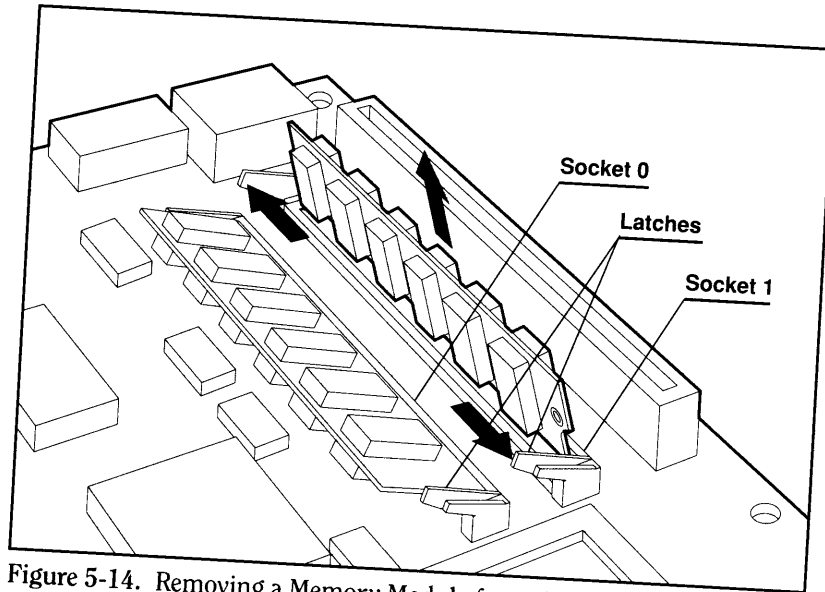


Figure 5-14. Removing a Memory Module from the COMPAQ DESKPRO 386N System Board

From a Memory Expansion Board
Remove the memory expansion board.

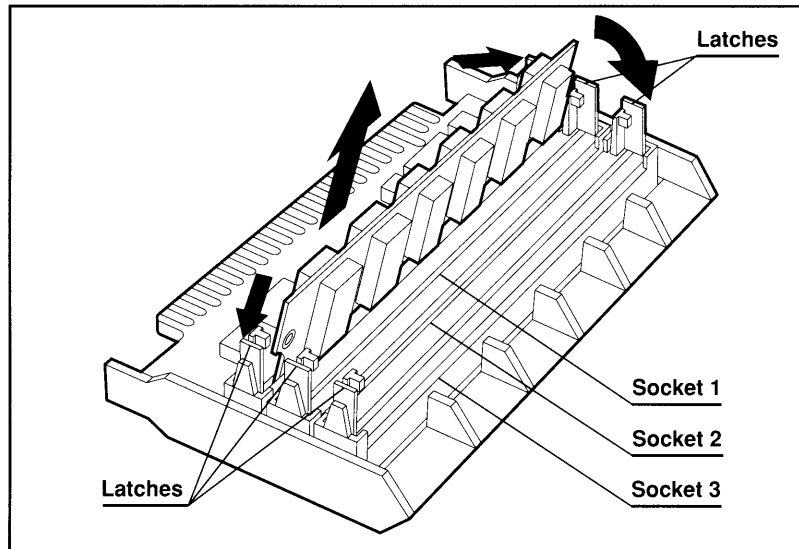


Figure 5-15. Removing a Memory Module from a Memory Expansion Board

! **IMPORTANT:** Remove modules from the sockets in descending order. Replace modules in sockets in ascending order, with the bottom socket being socket 1 on the COMPAQ DESKPRO 286N, and socket 2 on the COMPAQ DESKPRO 386N.

5.6 MISCELLANEOUS PARTS

Numeric Coprocessors

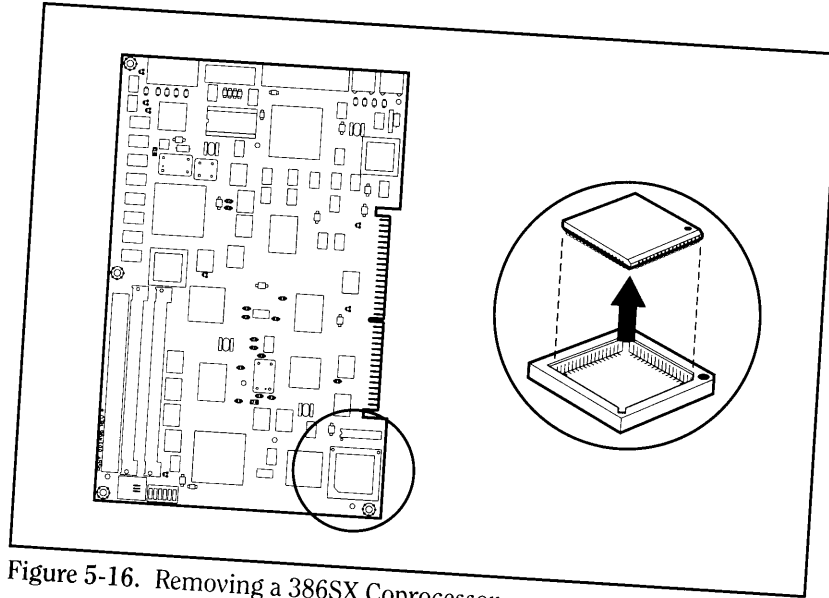


Figure 5-16. Removing a 386SX Coprocessor

! **IMPORTANT:** Align pin 1 on the coprocessor with pin 1 on the socket.

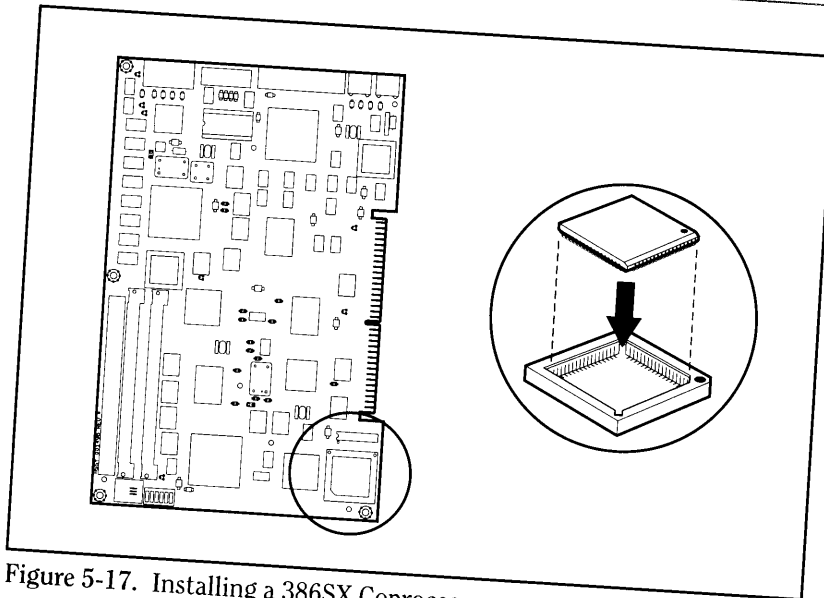


Figure 5-17. Installing a 386SX Coprocessor

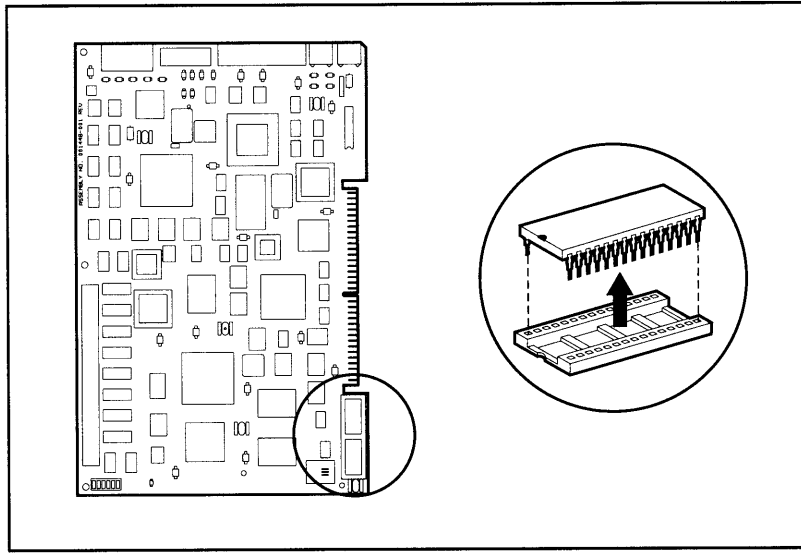


Figure 5-18. Removing a C287 Coprocessor

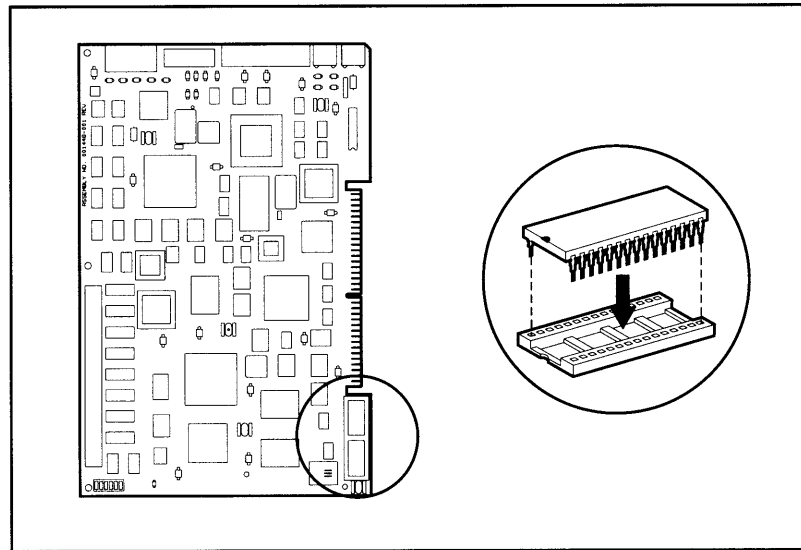


Figure 5-19. Installing a C287 Coprocessor

Expansion Board Guide Assembly

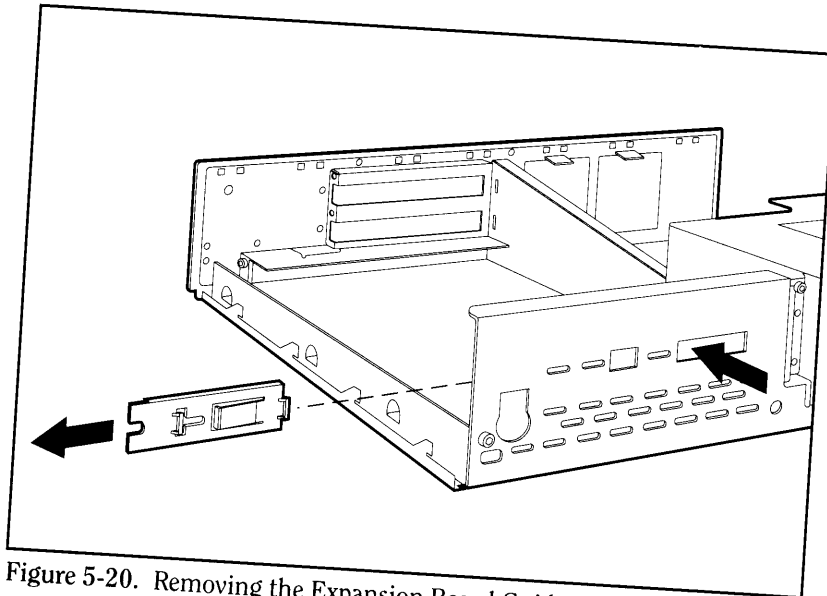


Figure 5-20. Removing the Expansion Board Guide Assembly

Battery/Clock Module

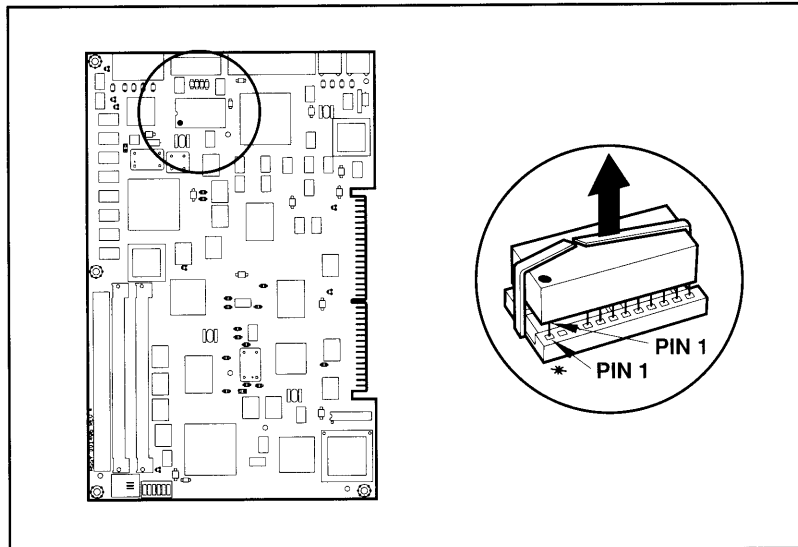


Figure 5-21. Removing the Battery/Clock Module



WARNING: The battery/clock module contains a lithium battery that may explode if mistreated. Do not abuse, recharge, disassemble, heat above 90°C, incinerate, or expose to water or fire.

Use only replacement battery/clock modules supplied by Compaq Computer Corporation (part no. 107872-001).

Disposal of the battery/clock module should be accomplished within compliance of local regulations or returned to Compaq Computer Corporation by established parts return methods.

Fan Assembly

1. Remove the power supply cover.
2. Disconnect the power cable.

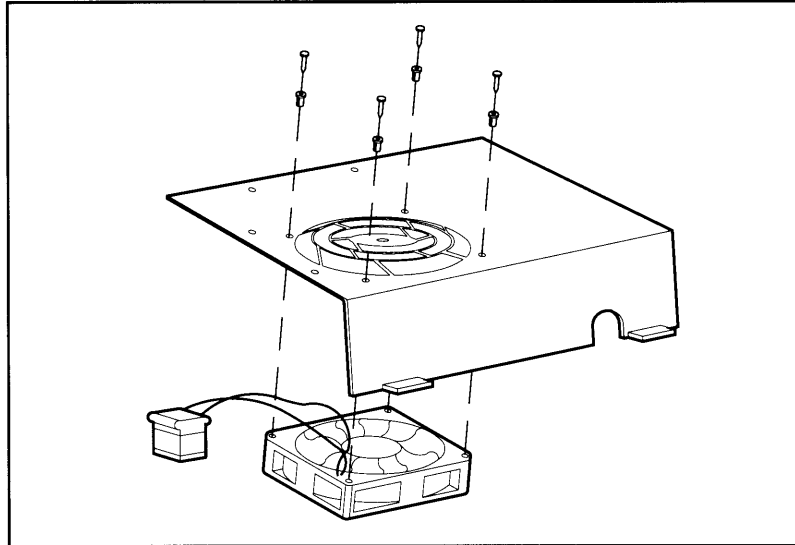


Figure 5-22. Removing the Fan Assembly



IMPORTANT: Install the fan with the label facing down.

ON/OFF Switch Assembly

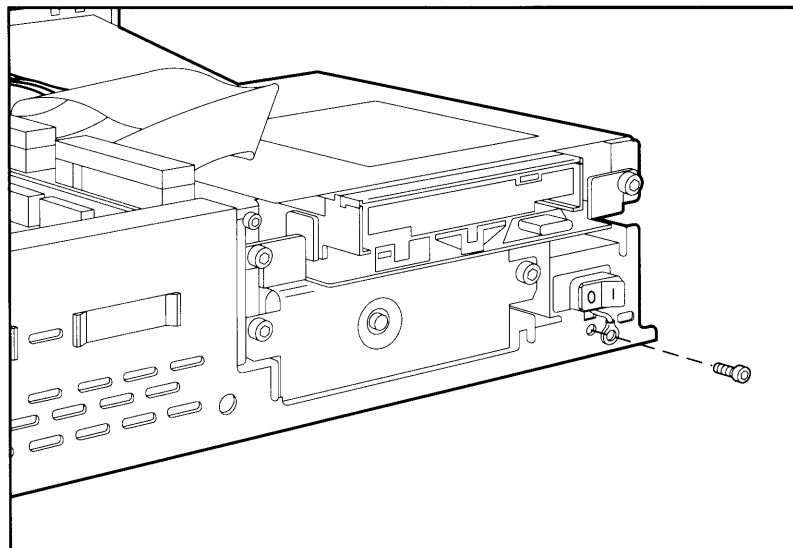


Figure 5-23. Removing the Ground Wire

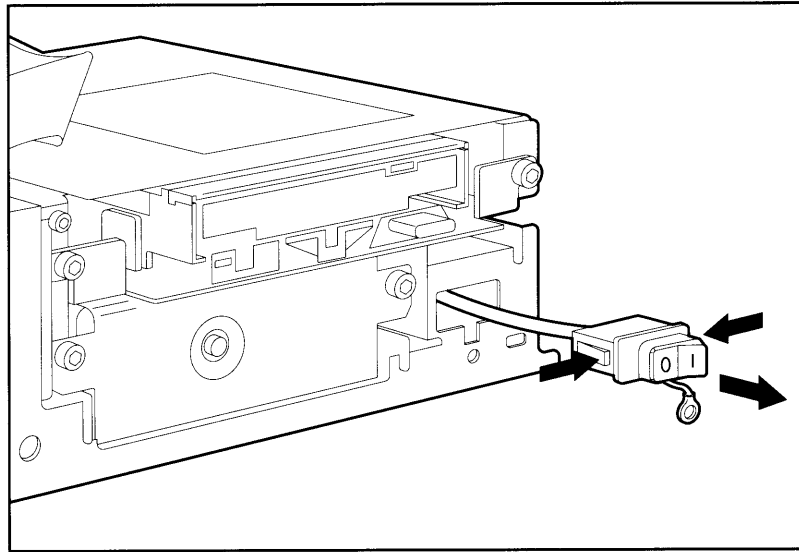


Figure 5-24. Removing the ON/OFF Switch Cable Assembly



IMPORTANT: Install the new switch with the “O” to the left.

AC Plug

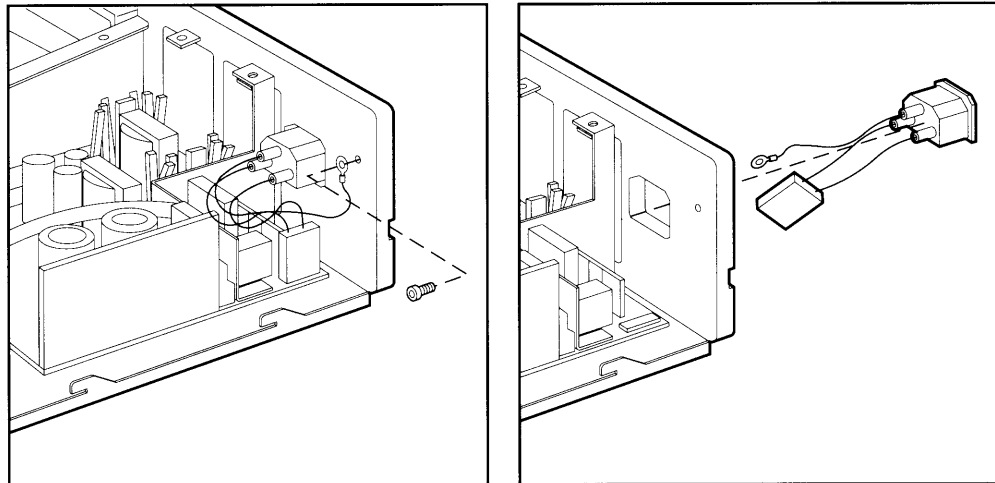


Figure 5-25. Removing the AC Plug



IMPORTANT: Replace the plug with the ground lug in the up position making sure to connect the blue wire to the neutral lug and the brown wire to the line lug on the AC plug.

Front Bezel

Remove the system unit cover.

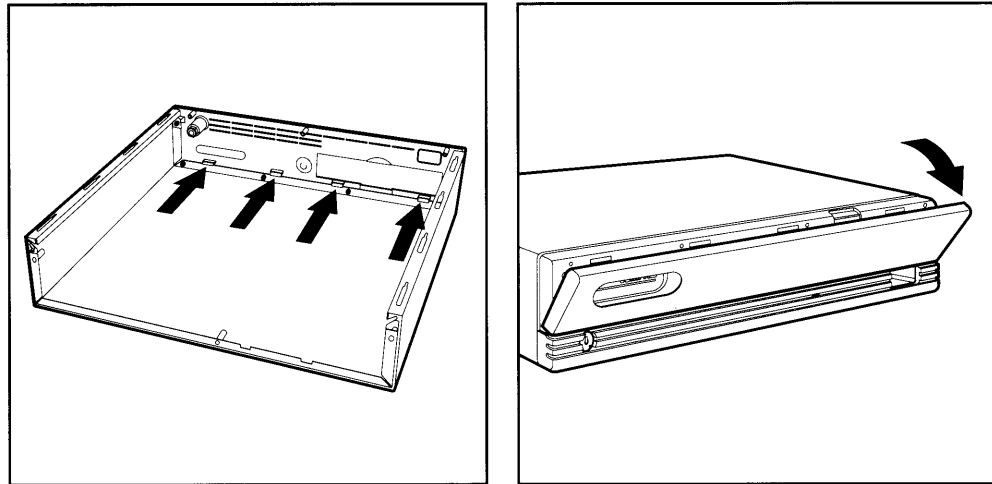


Figure 5-26. Removing the Front Bezel

Rear Bezel

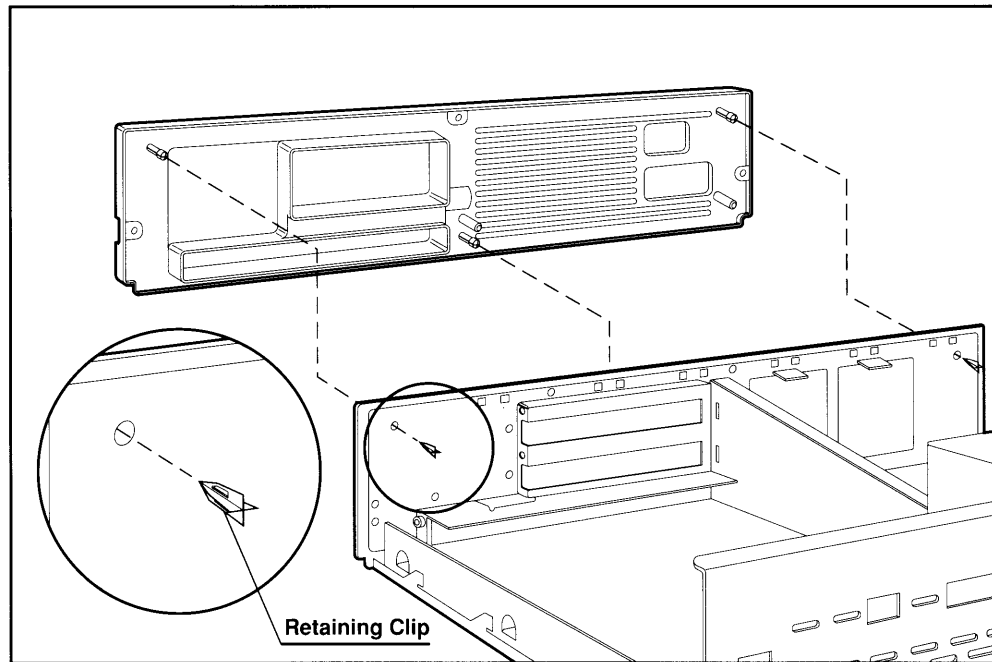


Figure 5-27. Removing the Rear Bezel



IMPORTANT: Use side cutters to cut the retaining clip for easy removal.

Security Lock

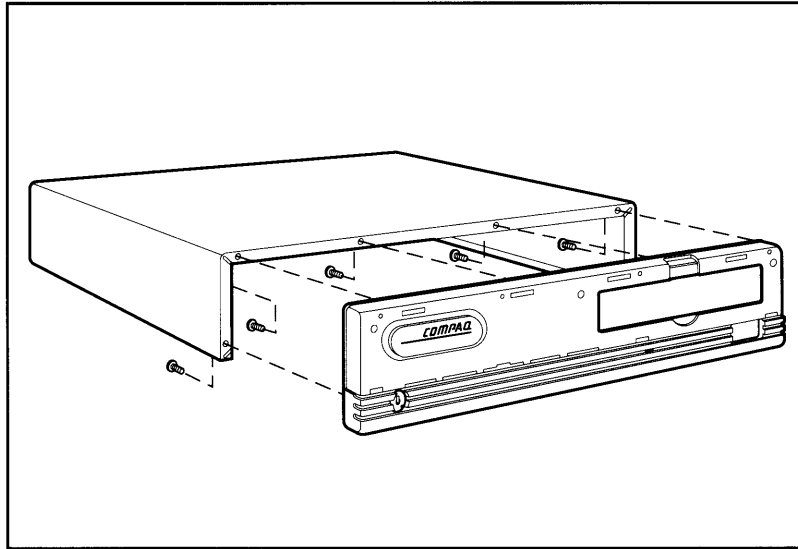


Figure 5-28. Removing the Bezel with Security Lock

Lost Keys

- If the system is unlocked and the lock ID number is unavailable, replace the security lock assembly.
- If the system is locked and the lock ID number is available, order new keys from the lock vendor.

NOTE: The lock ID number and vendor name are listed on a tag attached to the keys provided with the computer.

- If the system is locked and the lock ID number is unavailable, have a locksmith open the unit or contact Compaq for assistance.

SWITCH INFORMATION

This chapter provides switch settings for the COMPAQ DESKPRO 386N and COMPAQ DESKPRO 286N system boards.

When using the table in this chapter, remember that the default settings shown are set for the system as configured by Compaq Computer Corporation. These settings need to be changed only when the system configuration is changed.

6.1 SYSTEM BOARDS

Switch settings for the COMPAQ DESKPRO 386N and COMPAQ DESKPRO 286N system boards are listed in Table 6-1. The boards are shown in Figures 6-1 and 6-2.

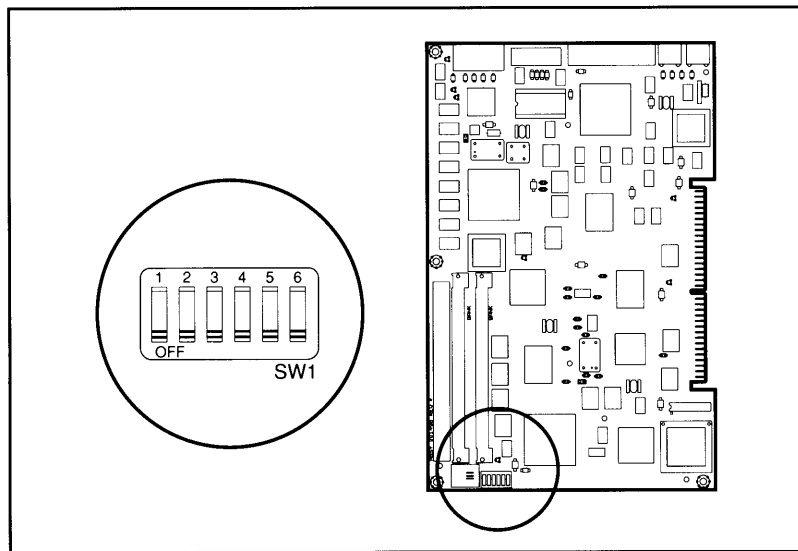


Figure 6-1. Switch Location on the COMPAQ DESKPRO 386N System Board

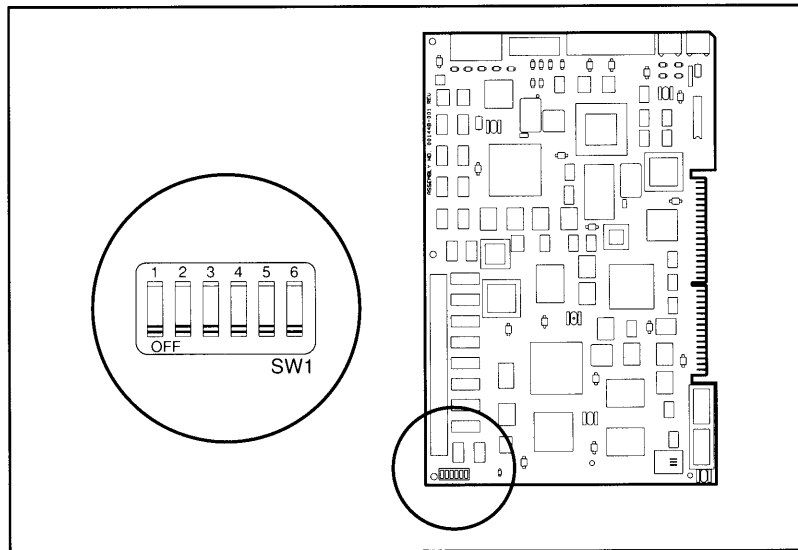


Figure 6-2. Switch Location on the COMPAQ DESKPRO 286N System Board

Table 6-1
System Board
SW1 Switch Settings

Switch	Setting	Status	Function
1	*ON	Enabled	Integrated Video Graphics Controller
	OFF	Disabled	
2	*ON	Enabled	ROM-resident SETUP
	OFF	Disabled	
3	*ON	Enabled	External Boot
	OFF	Disabled	
4	*ON	Enabled	Power-On Password
	OFF	Disabled	
5	*ON	8 MHz	Coprocessor Type (COMPAQ DESKPRO 286N)
	OFF	12 MHz	
6	*ON	Enabled	Diskette Write
	OFF	Disabled	

* Default

INDEX

A

- AC plug 4-7, 5-16
- AC power cord
 - part number 4-7

B

- Backplane
 - cable connector locations 5-8
 - part number 4-6, 4-7
 - removal and replacement 5-8
- Battery/clock module
 - part number 4-6, 4-8
 - removal and replacement 5-14
- Bezel
 - diagram 4-2
 - diskette drive 4-2, 4-7
 - front 4-2, 4-7, 5-17
 - Model 0 4-2, 4-7
 - part numbers 4-2, 4-7
 - rear 4-2, 4-7, 5-17
 - with security lock and keys 4-2, 4-7, 5-18

C

- Cables 4-3 to 4-5, 4-7
- Cable connector locations
 - backplane 5-8
 - system board 5-6
- Chassis
 - diagram 4-2
 - part numbers 4-2, 4-7

Coprocessor, 386SX, C287

- part number 4-6, 4-8
- removal and replacement 5-11, 5-12
- switch setting 6-1, 6-2

D

Disk-based DIAGNOSTICS

See DIAGNOSTICS

DIAGNOSTICS

- Disk-based, running 2-2
- error codes 3-5 to 3-12
- QUICKTEST 2-2

Diskette drive

- cables 4-4, 4-7
- part numbers 4-4, 4-7
- removal and replacement 5-5
- specifications 1-4
- test error codes 3-9

Documentation

- additional information vi
- part numbers 4-9

Download Diagnostics utilities 2-6

E

Error messages and codes

See DIAGNOSTIC error codes, memory error codes, Power-On Self-Test messages

Expansion board removal and replacement 5-6

Expansion board guide assembly

- part number 4-7
- removal and replacement 5-13

External diagnostics 2-5

F

- Fan assembly
 - part number 4-2, 4-7
 - removal and replacement 5-15

Fixed disk drive

- cables 4-5, 4-7
- part numbers 4-7
- removal and replacement 5-5
- specifications 1-5
- test error codes 3-11

Floppy disk

See diskette drive

Flowchart

- See* Power-On Self-Test
- See* problem isolation flowchart

G

- Grounding clips 4-8, 5-7
- Ground lug 5-16
- Ground wire 5-15

H

Hard disk

See fixed disk drive

I

Icon, key

See power-on password

- Integrated video graphics controller test error codes 3-11

Insulator

See power supply

K

- Keyboard 4-8
- Keyboard test error codes 3-7

L

- Language option 2-2
- Line lug 5-16
- Lock
 - See* security lock

M

Mass storage devices

See diskette drive, fixed disk drive

Memory

- ROM part numbers 4-6, 4-8
- error codes 3-6

Memory expansion board

- part number 4-6, 4-7
- removal and replacement 5-5

Memory modules

- part numbers 4-6, 4-7
- removal and replacement 5-9, 5-10
- error codes 3-2, 3-6

Memory socket identification

3-2

Memory test error codes

3-6

Model 0

1-2, 2-2

Models, specifications

1-2

Modem communications test

error codes 3-10

Monitor self-test

2-16

Monochrome video board test

error codes 3-9

N

- Neutral lug 5-16
- Null modem serial cable 2-6

O

- ON/OFF switch assembly 4-7, 5-15, 5-16
- Option slot cover
 - part number 4-2, 4-7

P

PCB cable	4-7
Parallel printer test error codes	3-7
Plastic insulator	4-7, 5-4
Pointing device interface test error codes	3-12
POST	
<i>See</i> Power-On Self-Test	
Power cord	
<i>See</i> AC power cord	
Power-on password	
disabling	2-3, 6-2
key icon	2-4
switch setting	6-1, 6-2
Power-On Self-Test	
messages	3-1 to 3-4
flowchart	2-6 to 2-16
Power supply	
insulator	4-7, 5-4
part number	4-2, 4-7
removal and replacement	5-3, 5-4
shield	5-4
specifications	1-3
Problem isolation flowchart	2-6 to 2-16
Processor test error codes	3-5
Push fasteners	4-8, 5-15

Q

QUICKTEST	2-2
-----------	-----

R

Remote computer	2-6
Retaining clip	5-17
ROM-resident utility	
<i>See</i> QUICKTEST	

S

Security lock and keys	
lock removal and replacement	5-18
lost keys	5-18
part number	4-2, 4-7
<i>See also</i> power-on password	
Serial interface diagnostic cable	2-6
Serial test error codes	3-10
Sockets	3-2, 5-10
Switch settings	
<i>See</i> Chapter 6	
Symbols	v
System board	
cable connectors	5-6
part number	4-6, 4-8
removal and replacement	5-6, 5-7
switch settings	2-3 to 2-5, 6-2
System unit	
cover, removal and replacement	5-2
diagram	4-2
part numbers	4-2, 4-7
specifications	1-2

T

Technician Notes	v
Tools	5-1
Troubleshooting procedures	
<i>See</i> problem isolation flowchart	

V

Video display unit test error codes	3-8
-------------------------------------	-----

